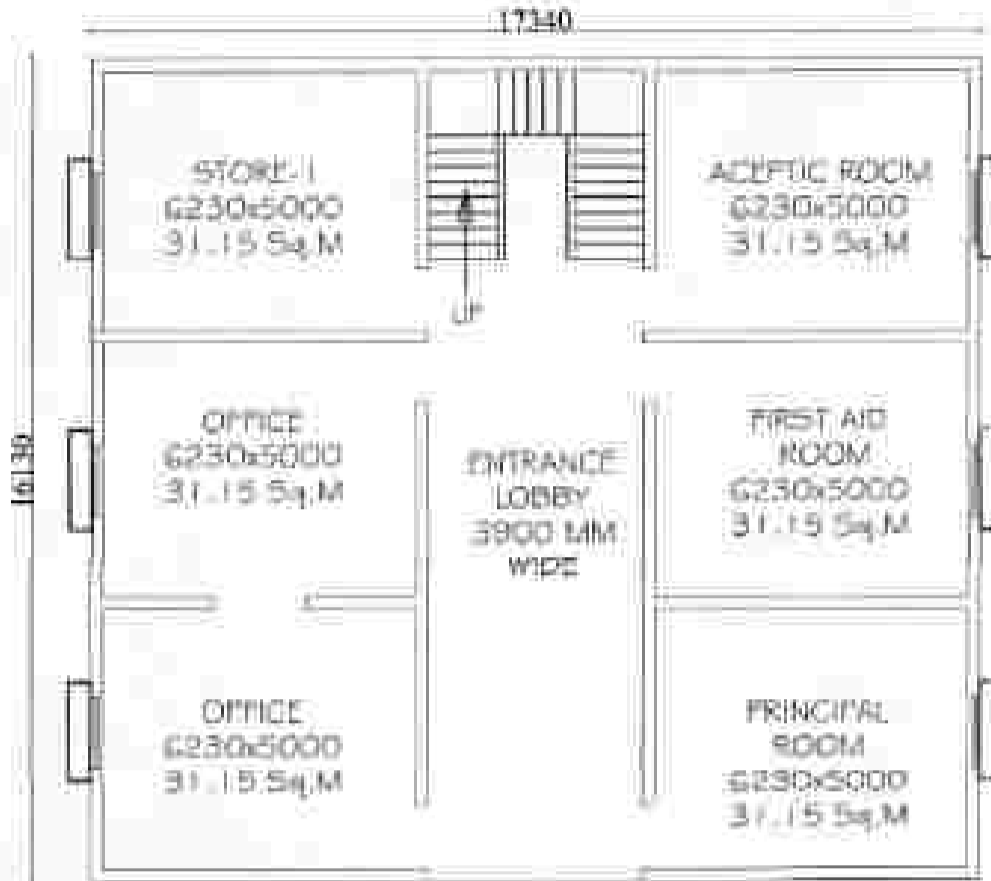
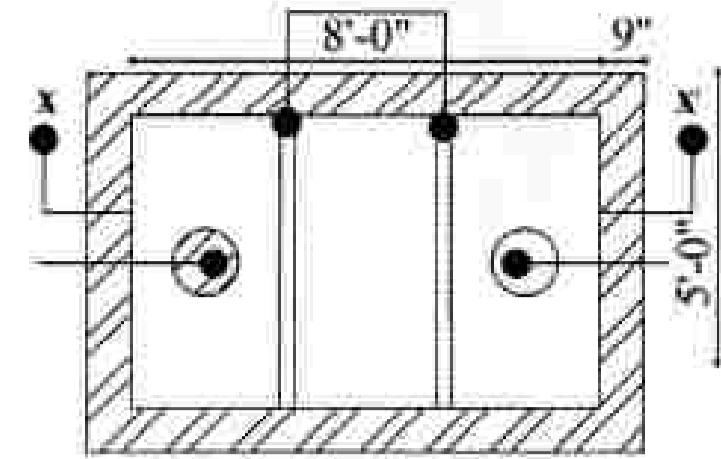




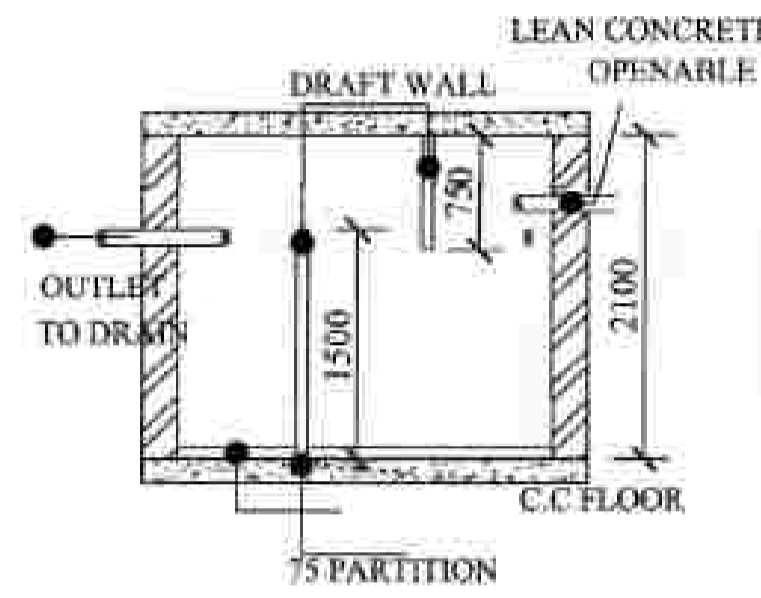
FRONT ELEVATION  
SCALE-1:100  
BLOCK-B



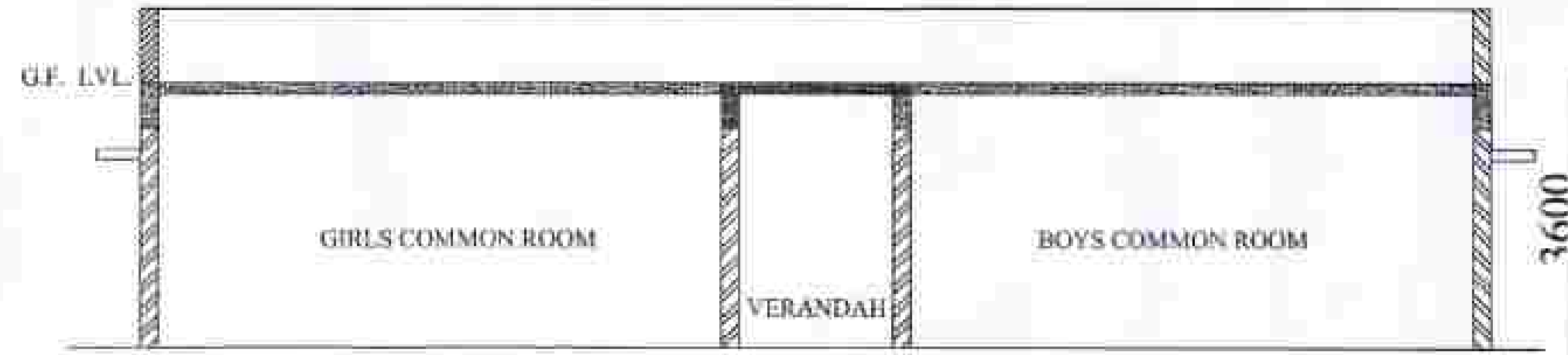
GROUND FLOOR PLAN  
SCALE-1:100  
BLOCK-B



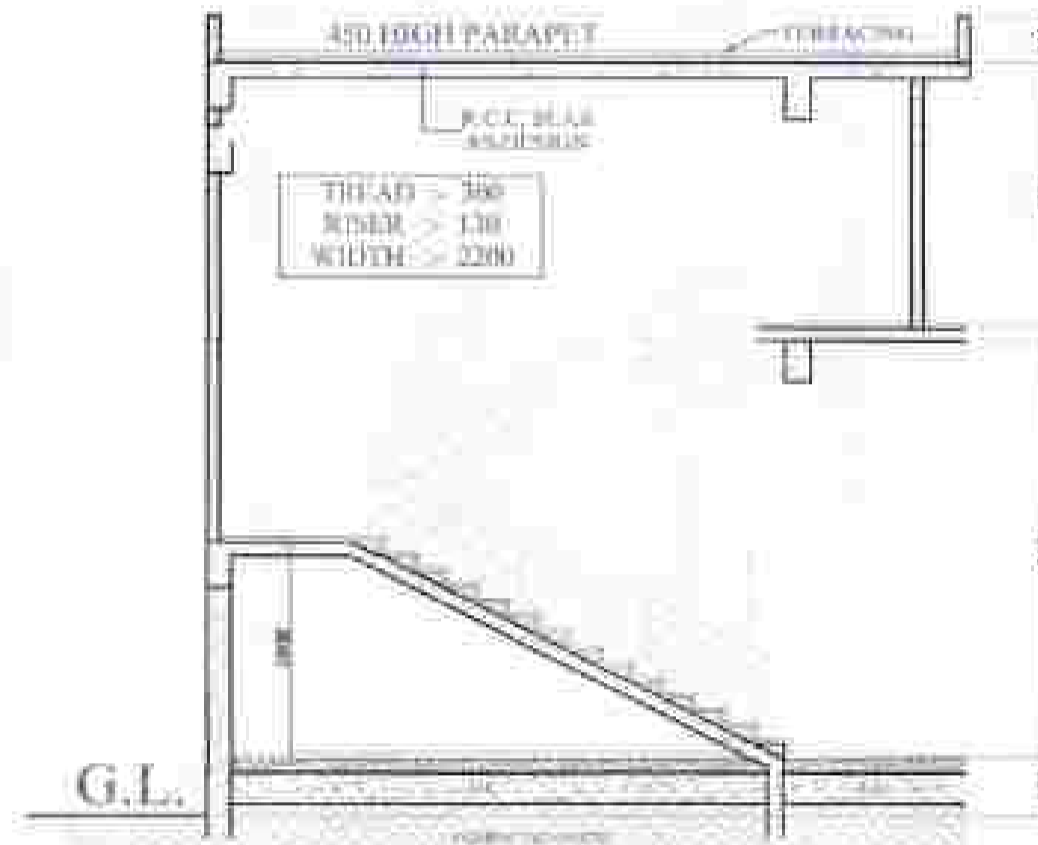
PLAN  
SEPTIC TANK



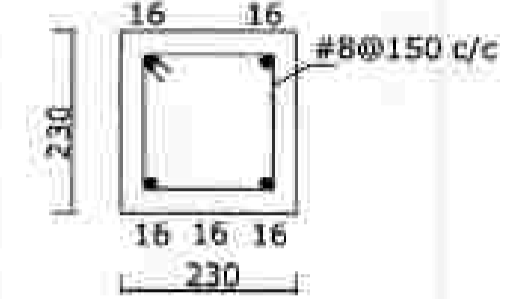
RAIN WATER HARVESTING  
DETAIL



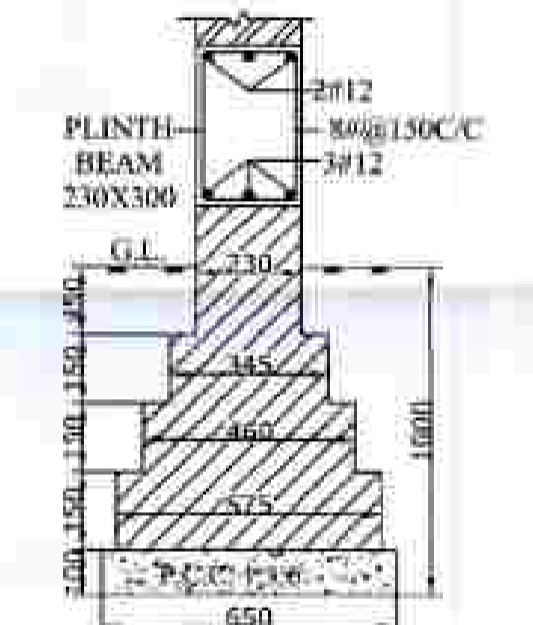
SECTION X-X  
SCALE 1:50



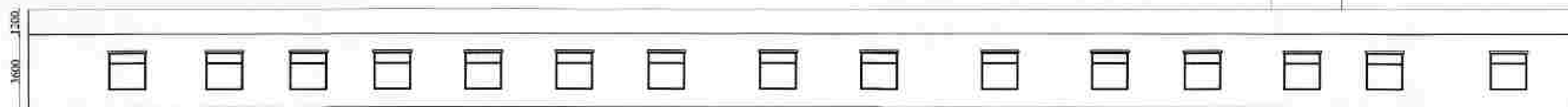
SECTION A-A'  
SCALE 1:50



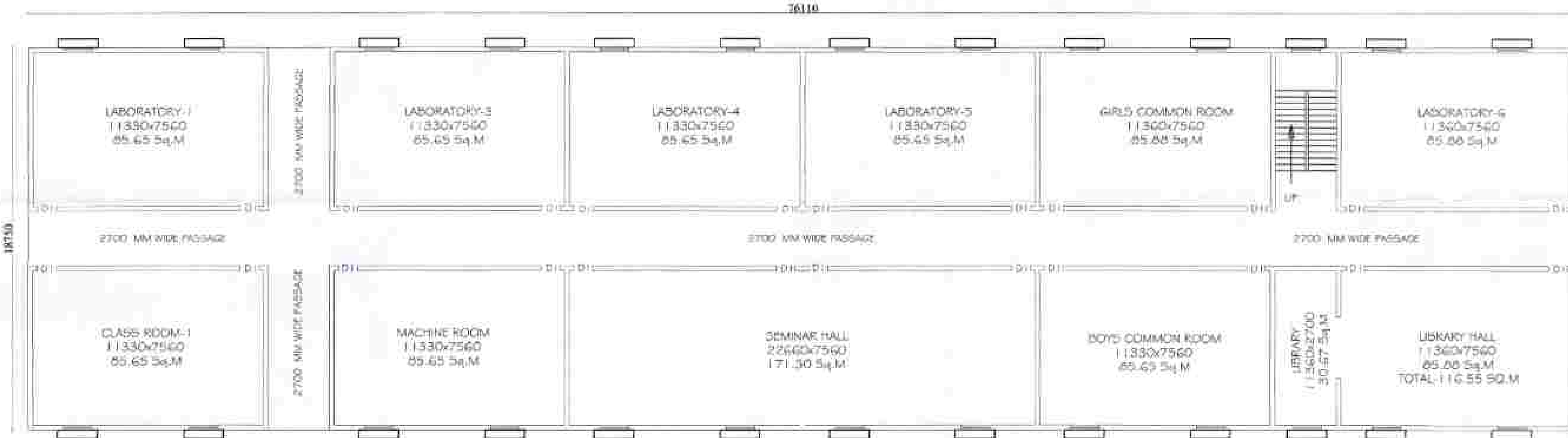
COLUMN DETAIL



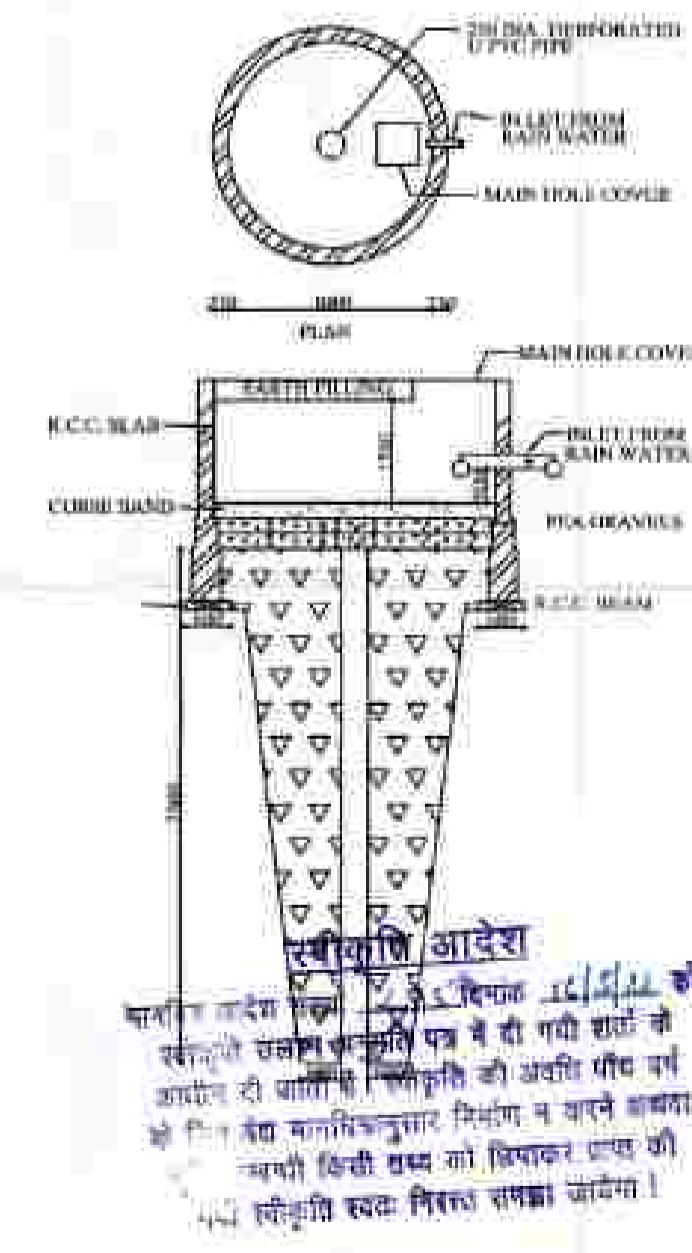
DETAILS OF PLINTH BEAM



FRONT ELEVATION  
SCALE-1:100  
BLOCK-A



GROUND FLOOR PLAN  
SCALE-1:100  
BLOCK-A



RAIN WATER HARVESTING  
DETAIL

रवीश्वरि आदेश  
महोदय को  
सर्वोपरि संज्ञापूर्वक निवेदन है कि मैंने आपके  
आदेशों की पूर्ण निष्ठापूर्वक रूप से पूर्ण निष्ठापूर्वक  
रूप में कार्य किया है और मैंने आपके  
कार्य को पूर्ण निष्ठापूर्वक रूप में  
पूर्ण निष्ठापूर्वक रूप में पूर्ण निष्ठापूर्वक रूप में  
पूर्ण निष्ठापूर्वक रूप में पूर्ण निष्ठापूर्वक रूप में

NAME OF TRUST :- SATYAVATI PATEL EDUCATIONAL SOCIETY DISTT-LAKHIMPUR, KHIRI STATE -U. P				
NAME OF THE INSTITUTE: SATYAVATI PATEL PHARMACY COLLEGE				
SITUATION: MAMRI GOLA TEHSIL-GOLA DISTT-LAKHIMPUR, KHIRI STATE -U. P				
PROGRAMME: D.PHARMA				
GATA NO - 346				
TOTAL AREA OF LAND= 11330.0 SQ.M				
SCHEDULE OF OPENINGS				
S.NO.	TYPE	WIDTH	SILL LVL.	LINTEL LVL.
1.	D1	1800	0.00	2550
2.	D1	1200	0.00	2550
3.	D2	1000	2550	5400
AREA STATEMENTS				SQ. MT.
1 TOTAL PLOT AREA				11330.0
2 COVD AREA ON G.F (BLOCK-A)				1427.06
3 COVD AREA ON G.F (BLOCK-B)				279.69
4 COVD AREA ON MUMTY 02 NOS				36.00
GRAND TOTAL				1742.75
GROUND COVERAGE % - 15.06 % ACHIEVED F.A.R - 0.153				
INSTRUCTIONAL AREA				
CLASS ROOM - 1 = 85.65 SQ.M				
LABORATORY -1 = 85.65 SQ.M				
LABORATORY -2 = 85.65 SQ.M				
MACHINE RM = 85.65 SQ.M				
LABORATORY -3 =85.65 SQ.M				
LABORATORY -4 =85.65 SQ.M				
LABORATORY -5 =85.65 SQ.M				
LIBRARY CUM READING RM=116.55 SQ.M				
SEMINAR HALL=171.30 SQ.M				
ADMINISTRATIVE AREA				
PRINCIPAL/DIRECTOR RM= 42.73 SQ.M				
OFFICE ALL-INCLUSIVE=62.30 SQ.M				
STORE RM-1= 31.15 SQ.M				
ACEPTIC RM-1= 31.15 SQ.M				
AMENITIES AREA				
TOILET BLOCK = AS / SHOWN				
BOYS COMMON ROOM =85.65 SQ.M				
GIRLS COMMON ROOM=85.65 SQ.M				
FIRST AID CUM SICK RM =31.15 SQ.M				
SCALE:	AS SHOWN	NORTH:		N
ARCHITECT SIGN		OWNER SIGN		
ARCHITECTS: CONCEPT DESIGNERS				
ARCHITECTS, ENGINEERS & INTERIOR DESIGNERS & VALUERS HEAD OFFICE: 426-B SAHARA SHOPPING CENTER FAIZABAD ROAD, UKO, MOBILE. NO-9639058772				

PRODUCED BY AN AUTODESK EDUCATIONAL PRODUCT

PRODUCED BY AN AUTODESK EDUCATIONAL PRODUCT