

INSTITUTE-
KUNJ BIHARI COLLEGE OF PHARMACY AT DUBKI, HASANPUR, KANPUR DEHAT

SITUATION-
 VILL-DUBKI HASANPUR, POST-KANDHI, DISTT.- KANPUR DEHAT, STATE -UTTAR PRADESH

NAME OF PROGRAMME-
 D.PHARMA

KHASRA NO.-
 106

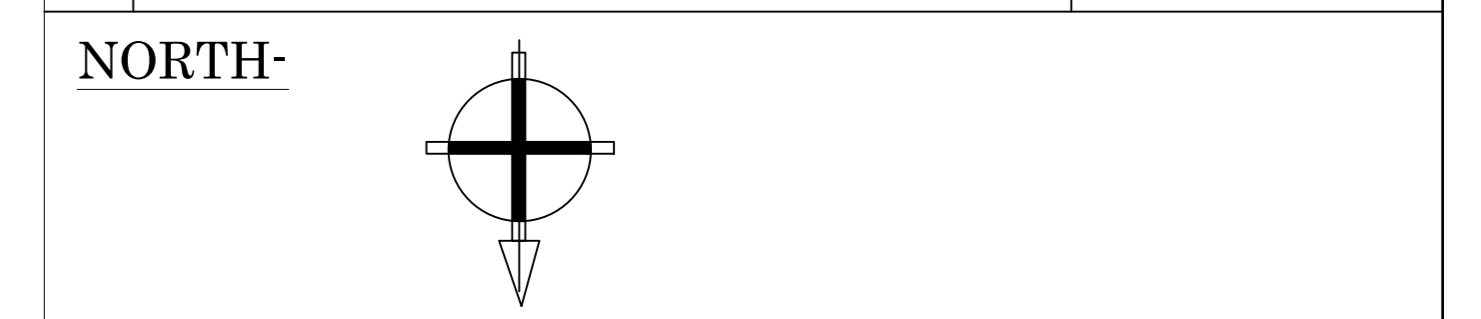
AREA OF LAND-
 10250.00 SQMT.

SCHEDULE OF OPENINGS

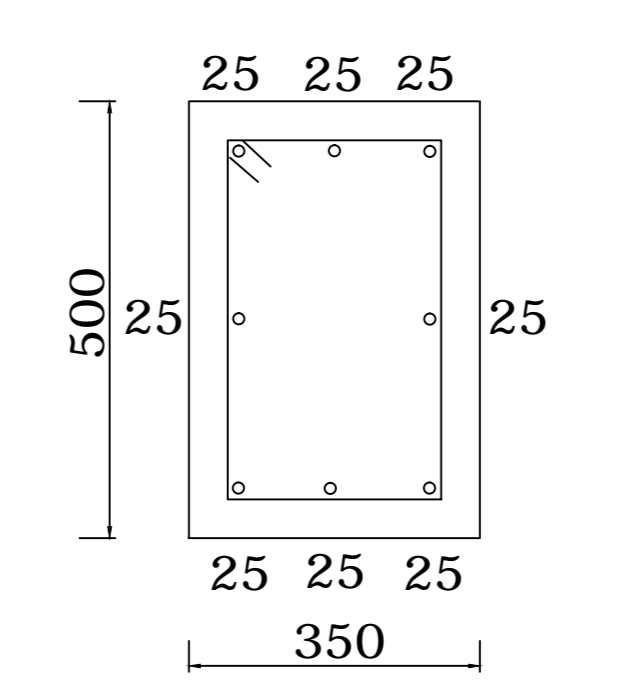
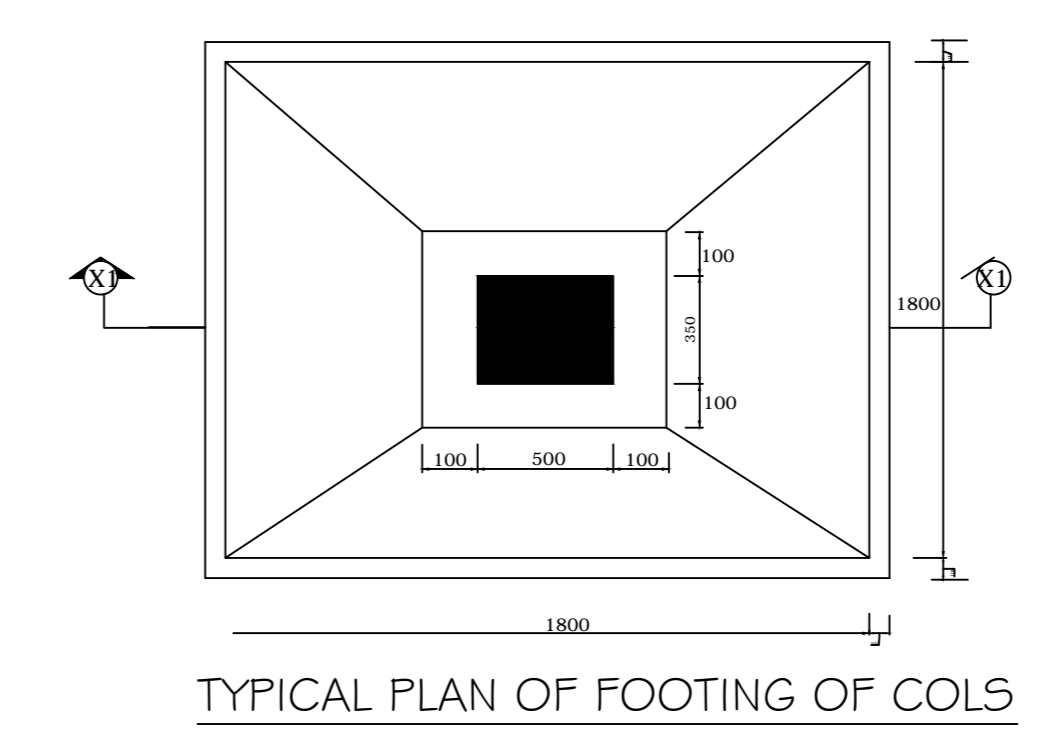
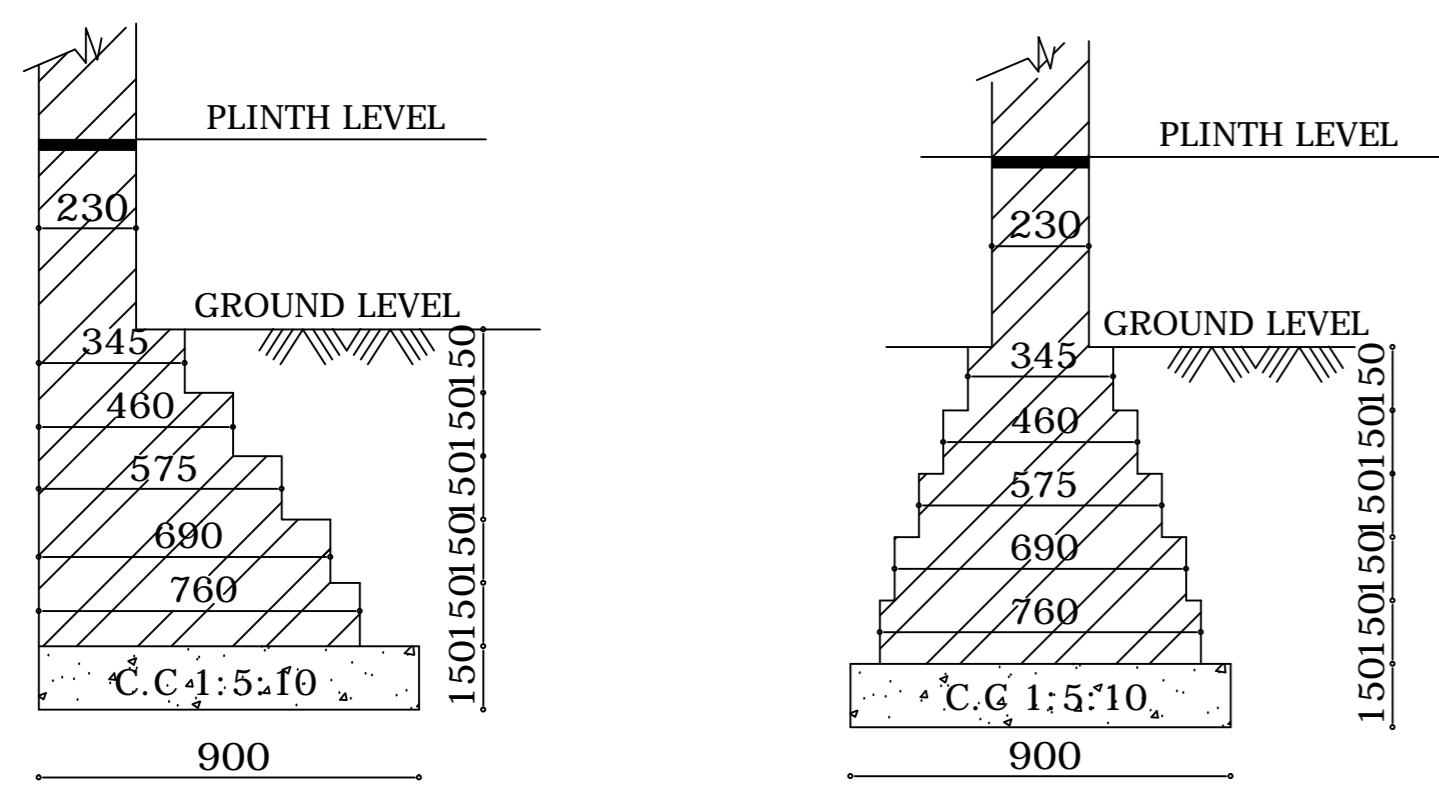
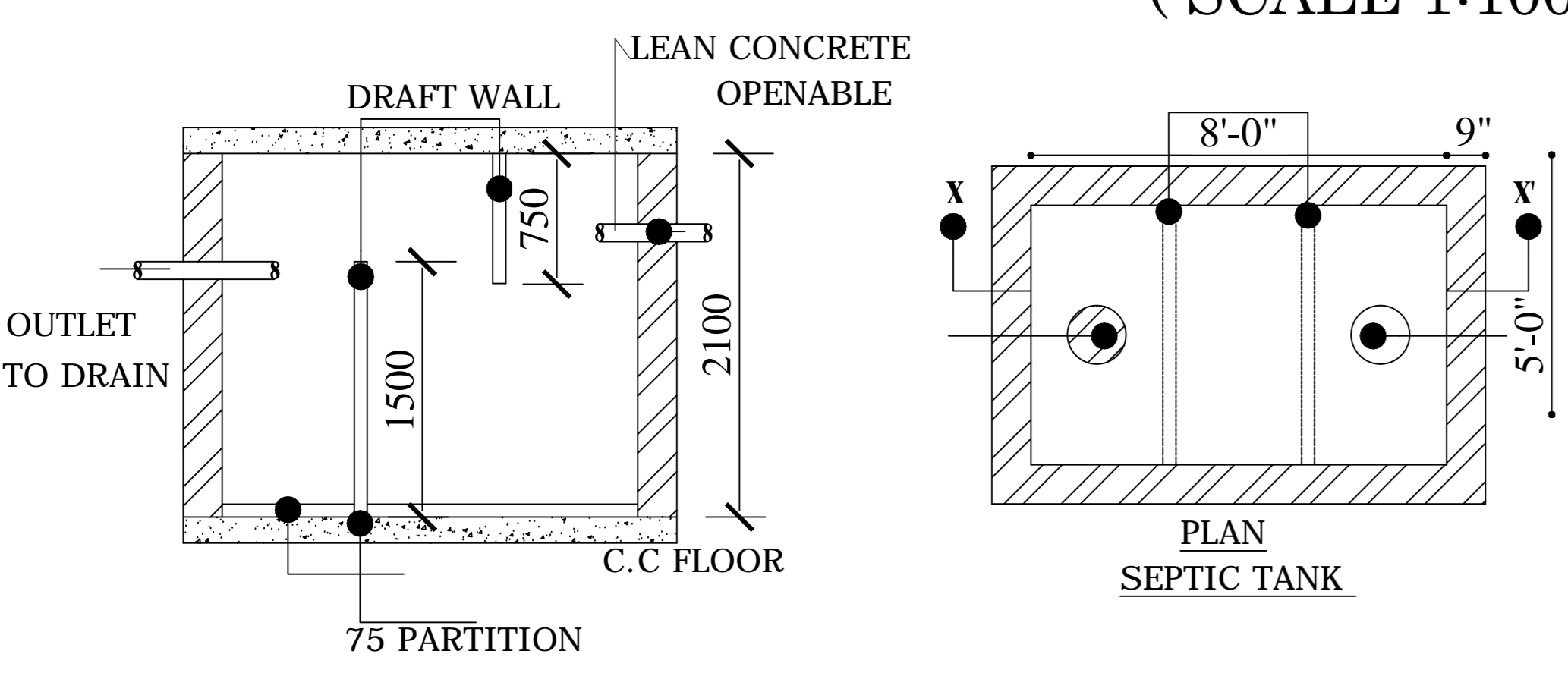
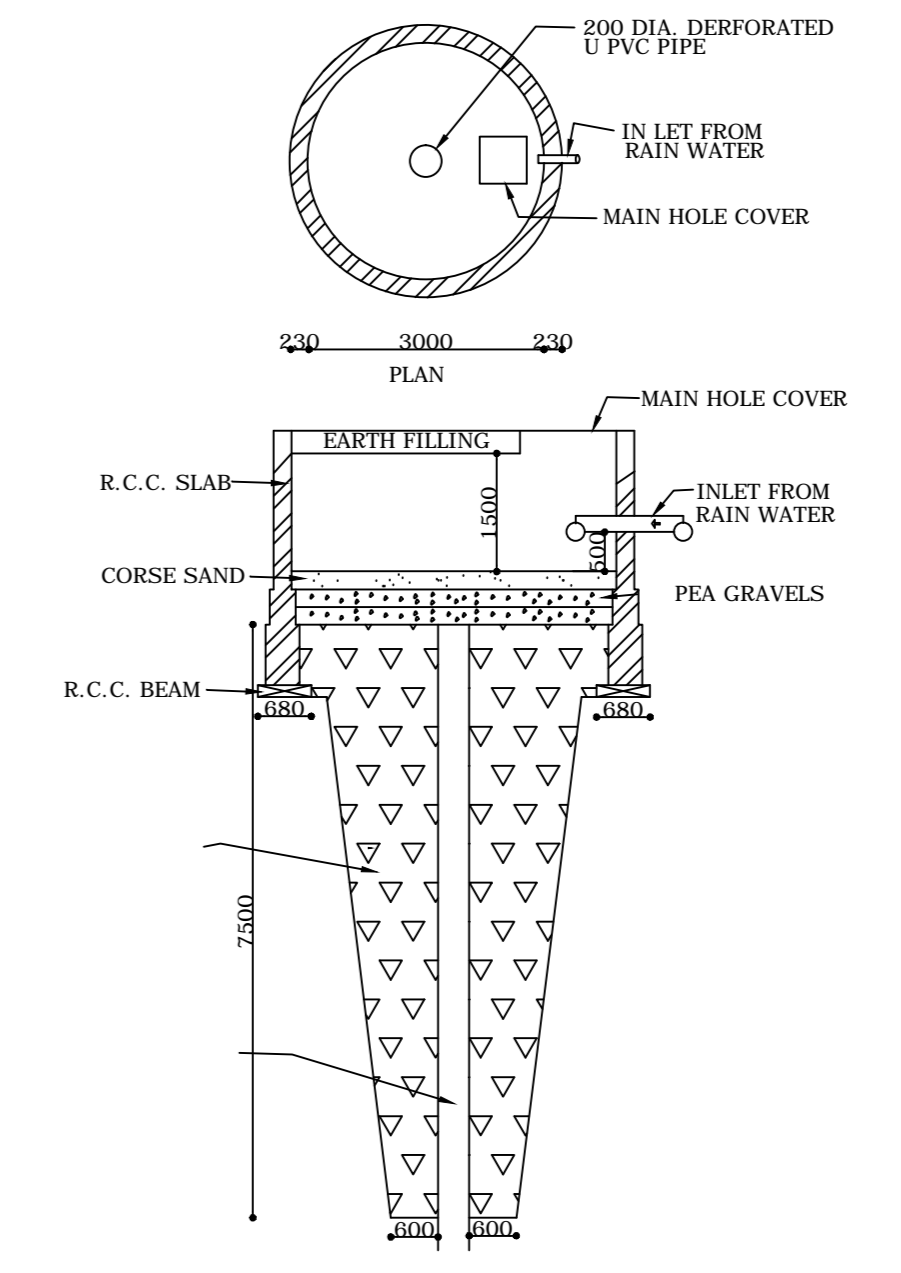
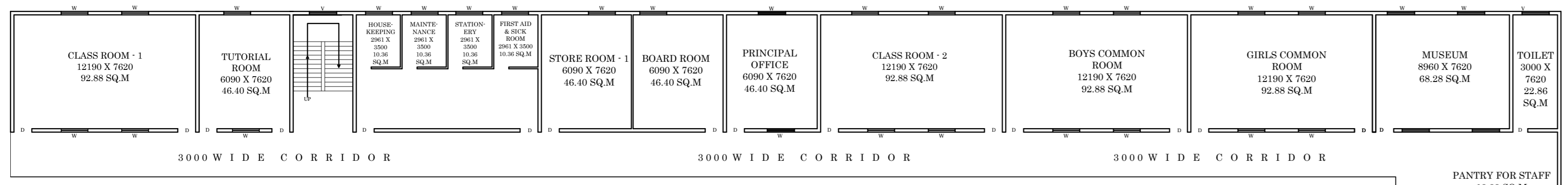
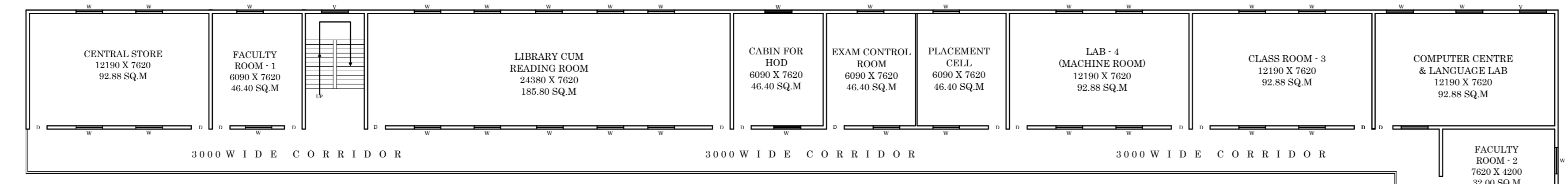
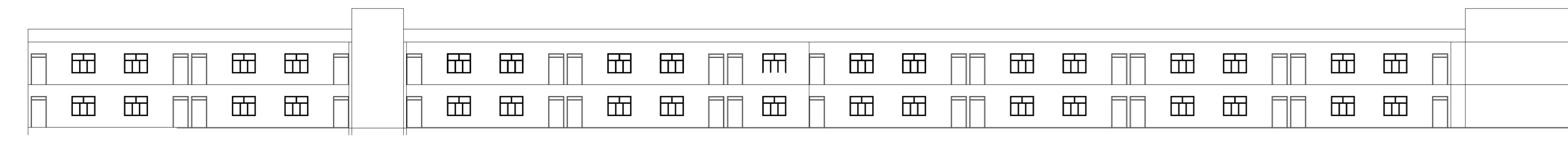
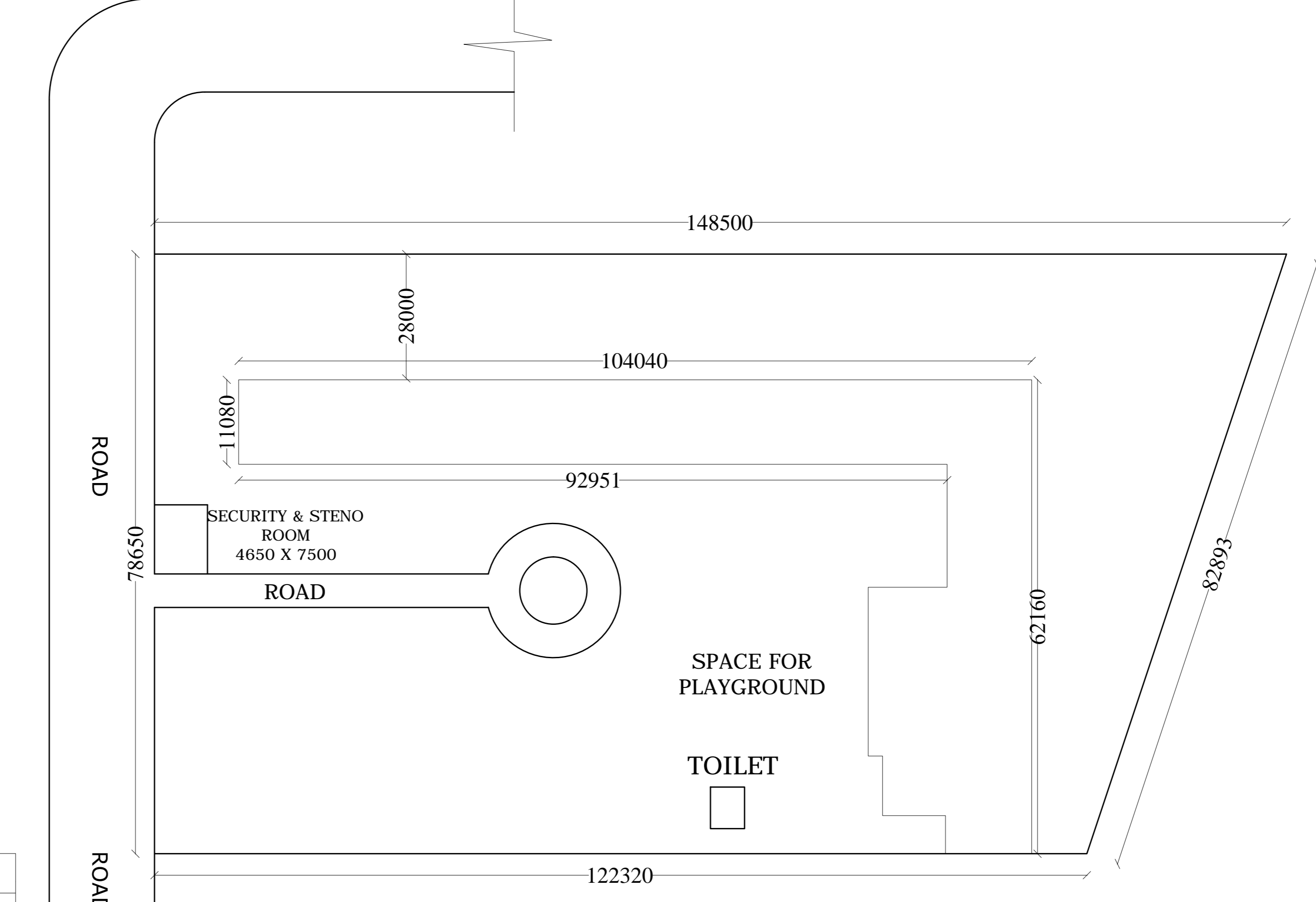
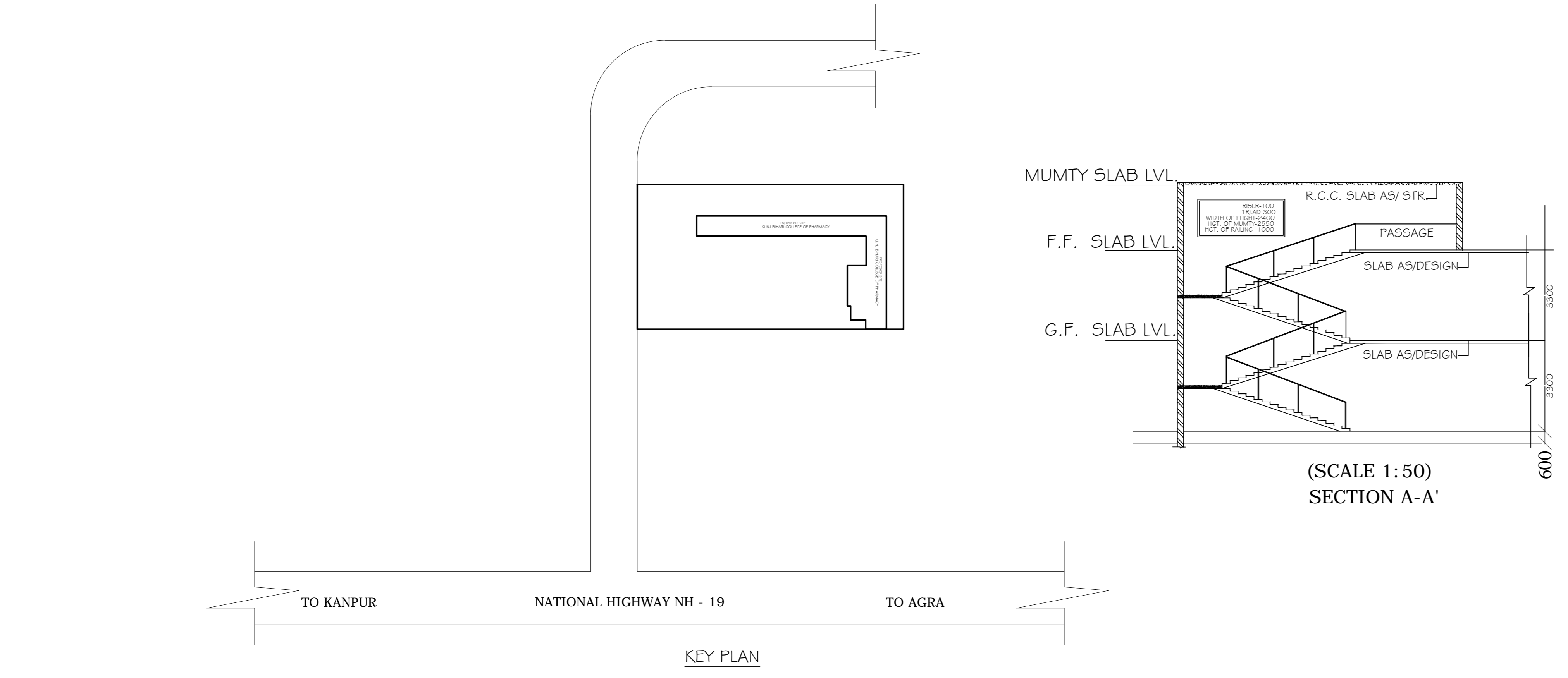
S.NO.	TYPE	WIDTH	SILL LVL.	LINTEL LVL.
1.	D'	1800	0.00	2550
2.	D1	1200	0.00	2550
3.	D3	1000	2550	5400
4.	D3	750	2550	2550
5.	W1	1800	900	2550
6.	V	1500	1650	2550

AREA STATEMENTS

	SQ. MT.
1 TOTAL PLOT AREA	10250.00
2 COVD. AREA ON G.F.	2020.57
3 COVD. AREA ON F.F.	1751.04
4 TOTAL COVD. AREA	3771.61
5 ACHIEVED F.A.R.	0.36



- | | |
|---------------------------|---------------|
| 1. CLASS ROOM(3 NOS) | - 92.88 SQ.M |
| 2. TUTORIAL ROOM | - 46.40 SQ.M |
| 3. HOUSEKEEPING | - 10.36 SQ.M |
| 4. MAINTENANCE | - 10.36 SQ.M |
| 5. STATIONERY | - 10.36 SQ.M |
| 6. FIRST AID & SICK ROOM | - 10.36 SQ.M |
| 7. STORE ROOM - 1 | - 46.40 SQ.M |
| 8. BOARD ROOM | - 46.40 SQ.M |
| 9. PRINCIPAL ROOM | - 46.40 SQ.M |
| 10. BOYS COMMON ROOM | - 92.88 SQ.M |
| 11. GIRLS COMMON ROOM | - 92.88 SQ.M |
| 12. MUSEUM | - 68.28 SQ.M |
| 13. TOILET (22.86+32.86) | - 55.72 SQ.M |
| 14. LAB (4 NOS.) | - 92.88 SQ.M |
| 15. STORE ROOM - 2 | - 60.42 SQ.M |
| 16. OFFICE ALL INCLUSIVE | - 185.80 SQ.M |
| 17. CENTRAL STORE | - 92.88 SQ.M |
| 18. FACULTY ROOM - 1 | - 46.40 SQ.M |
| 19. LIBRARY | - 185.80 SQ.M |
| 20. CABIN FOR HOD | - 46.40 SQ.M |
| 21. EXAM CONTROL ROOM | - 46.40 SQ.M |
| 22. PLACEMENT CELL | - 46.40 SQ.M |
| 23. COMPUTER CENTRE | - 92.88 SQ.M |
| 24. FACULTY ROOM | - 32.00 SQ.M |
| 25. SEMINAR HALL | - 185.80 SQ.M |
| 26. CAFETERIA | - 150.90 SQ.M |
| 27. SECURITY & STENO ROOM | - 34.87 SQ.M |



OWNER'S SIGN

ARCHITECT'S SIGN

Ar. Ankit Verma
 B.Arch., M.U.R.P., A.I.I.A., A.I.I.I.D.
 R-128, Sukh Complex, Munshi Palia, Indira Nagar,
 Lucknow-226016
 8090802001, 9044157437
 ar.ankitverma@gmail.com, maanukriti@gmail.com