

EXISTING BUILDING PLAN OF
DR. RAM MANHOR LOHIYA
COLLEGE OF MAHAVIDYALYA PLOT
LALUMAU PAR- DALMAU TEH-LALGANJ
DISTT-RAEBARELI U.P.
gata no-493/1,486,487 -9260SQM

AREA STATEMENT OF GROUND FLOOR PLAN

ROOM TYPE	AREA
LAB ROOM-01	96.00 SQ.MT.
LAB ROOM-02	96.00 SQ.MT.
LAB ROOM-03	96.00 SQ.MT.
TOILET	12.70 SQ.MT.
PRINCIPAL ROOM	28.00 SQ.MT.
ASEPTIC ROOM	28.00 SQ.MT.
FACULTY ROOM	31.20 SQ.MT.
OFFICE	40.80 SQ.MT.
CLASS ROOM-01	92.00 SQ.MT.
STORE ROOM -I	100.96 SQ.MT.
COMPUTER ROOM	96.00 SQ.MT.
MALE TOILET	27.95 SQ.MT.
FEMALE TOILET	27.95 SQ.MT.
STAIR	33.63 SQ.MT.
MACHEN ROOM	100.96 SQ.MT.
CLASS ROOM-02	92.00 SQ.MT.
STAIR	22.23 SQ.MT.
LAB ROOM-04	96.00 SQ.MT.
LAB ROOM-05	96.00 SQ.MT.
STAIR	33.63 SQ.MT.
MALE TOILET	27.95 SQ.MT.
FEMALE TOILET	27.95 SQ.MT.
TOTAL CIRCULATION AREA	205.14 SQ.MT.
TOTAL	1948.55 SQ.MT.

AREA STATEMENT OF FISRT FLOOR PLAN

ROOM TYPE	AREA
BOY COMMON ROOM	68.00 SQ.MT.
STORE ROOM -II	27.05 SQ.MT.
SEMINAR HALL	193.84 SQ.MT.
TOILET	12.70 SQ.MT.
FIRST AID ROOM	28.00 SQ.MT.
BALANCE ROOM	28.00 SQ.MT.
MUSEUM	72.00 SQ.MT.
ROOM	92.00 SQ.MT.
ROOM	100.96 SQ.MT.
ROOM	96.00 SQ.MT.
MALE TOILET	27.95 SQ.MT.
FEMALE TOILET	27.95 SQ.MT.
STAIR	33.63 SQ.MT.
ROOM	100.96 SQ.MT.
ROOM	92.00 SQ.MT.
STAIR	22.23 SQ.MT.
GIRLS COMMON ROOM	68.00 SQ.MT.
LIBRARY	124.96 SQ.MT.
STAIR	33.63 SQ.MT.
MALE TOILET	27.95 SQ.MT.
FEMALE TOILET	27.95 SQ.MT.
TOTAL CIRCULATION AREA	205.14 SQ.MT.
TOTAL AREA AT G.F.	1948.55 SQ.MT.

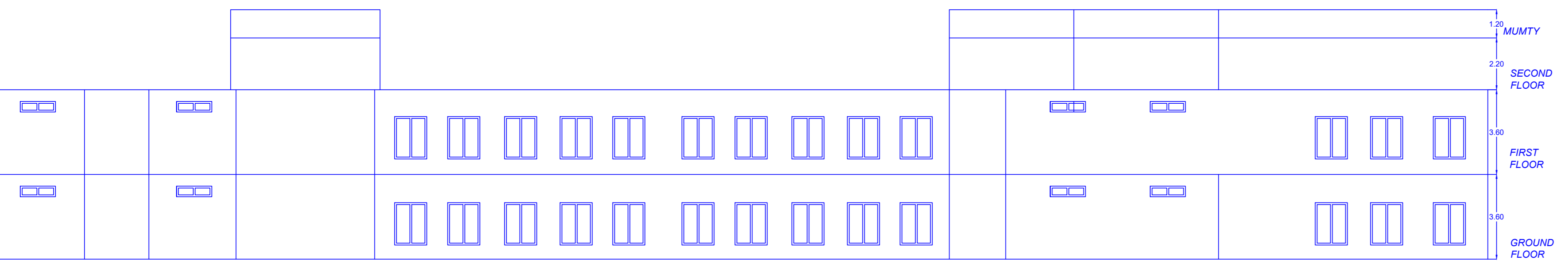
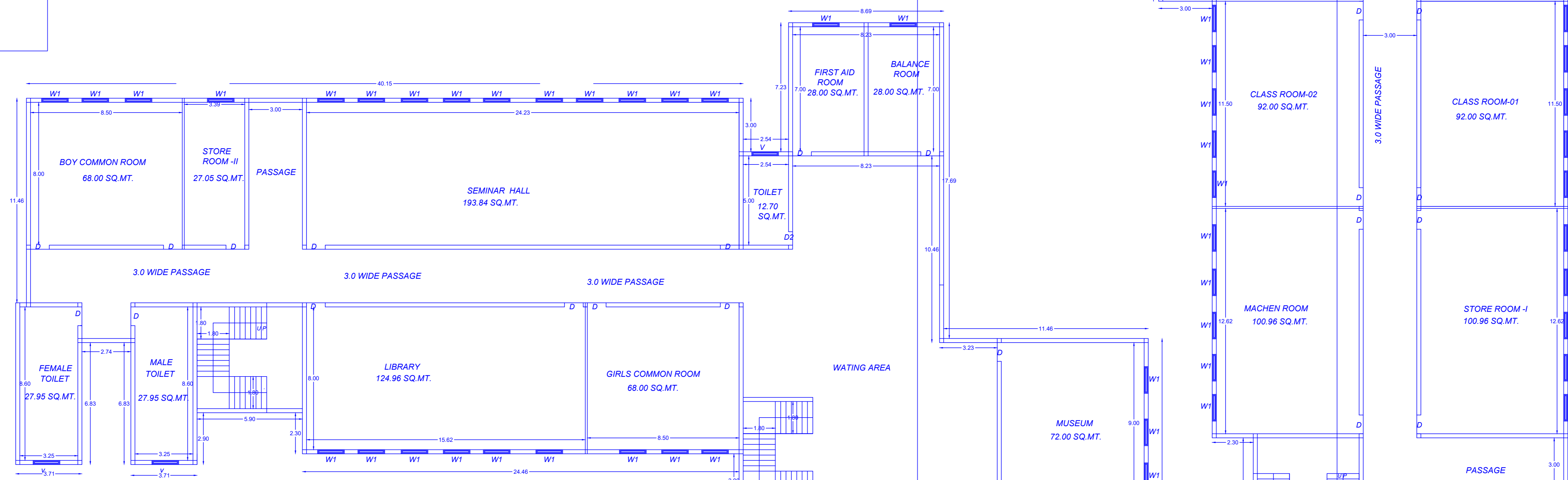
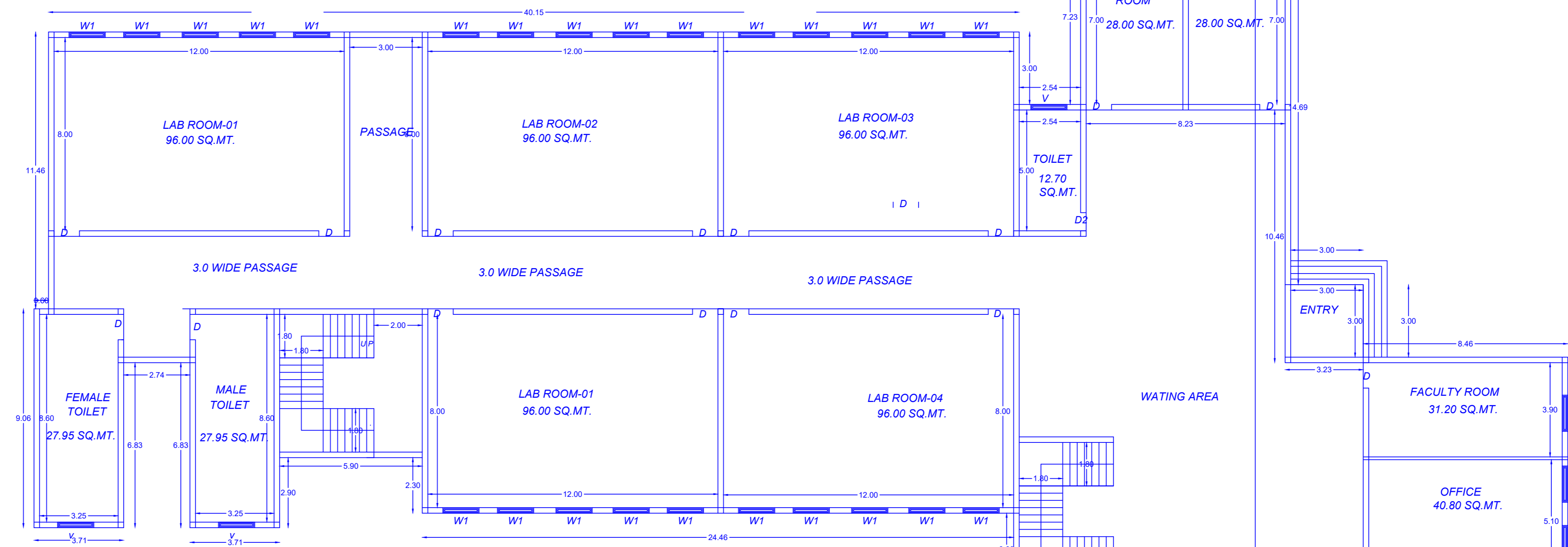
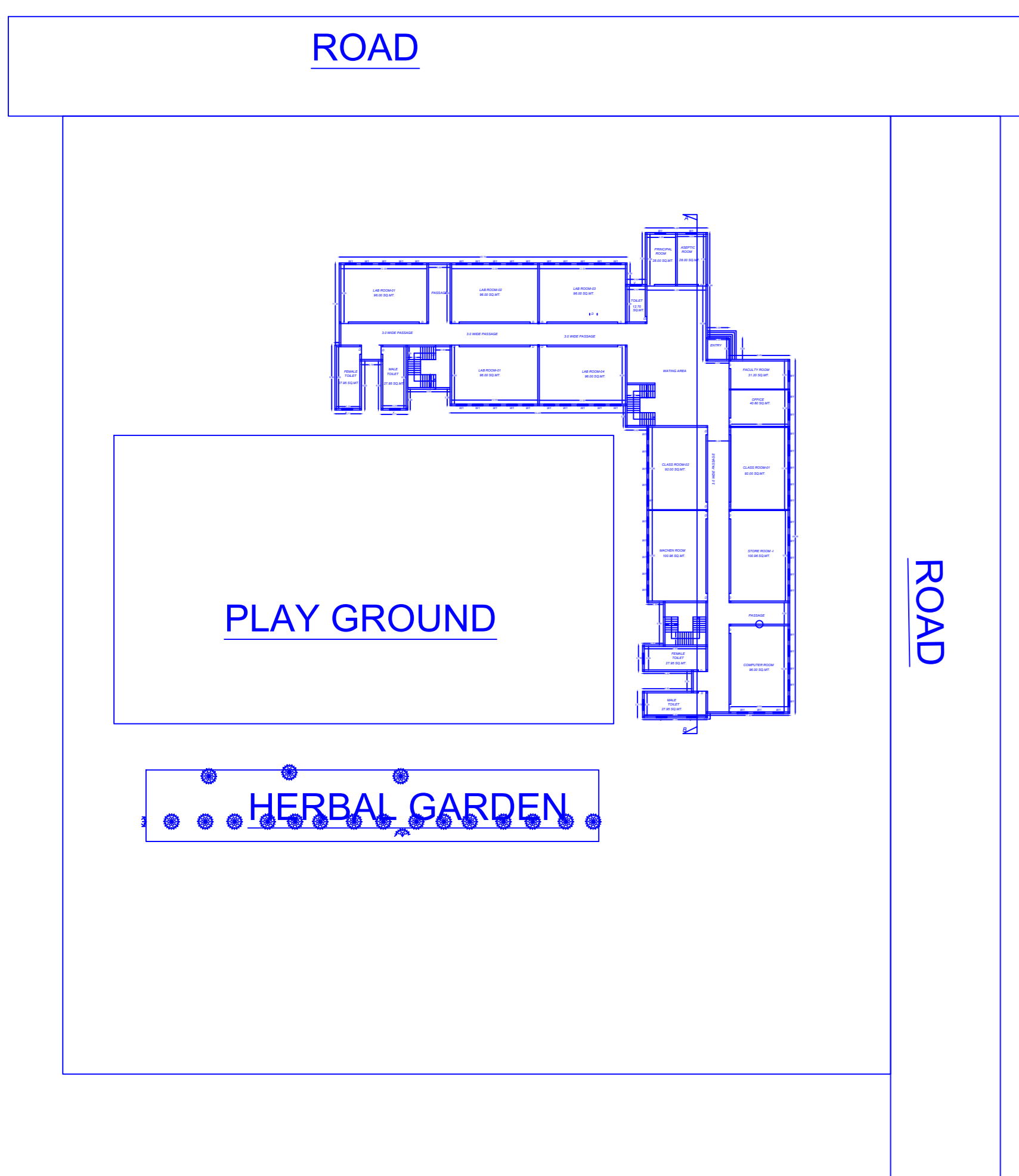
COV. AREA AT G.F. 1948.55 SQ.MT.
COV. AREA AT F.F. 1948.55 SQ.MT.

TOTAL COV.AREA 3897.10SQM
GROUND COVERGE- 21.04% ACHIEVED FAR - .420

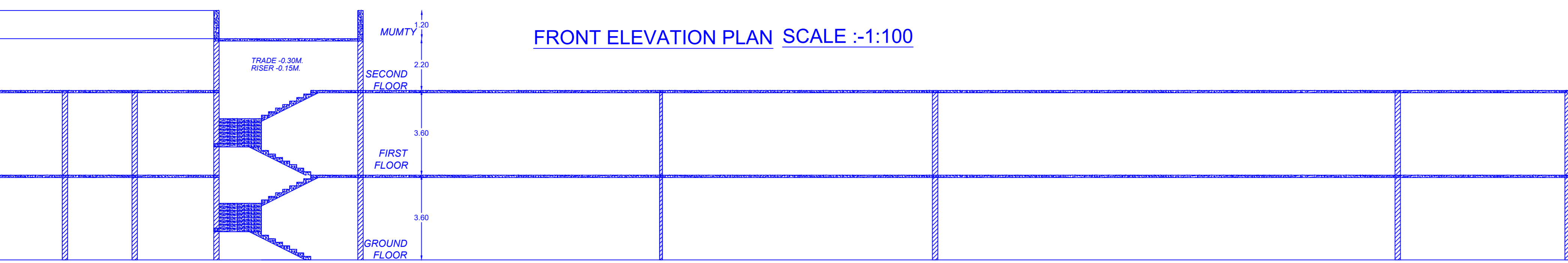
ARCHITECT

Ajay Kumar Maniya
AR. AJAY KUMAR MAURIYA
B.ARCH.(I.A.T.P.) M.R.D. NEW DELHI
REG. NO. CA/2018/95765
PLOT NO. 37 SAKETPURI NEAR
R.S.S. OFFICE DISTRICT- AYODHYA

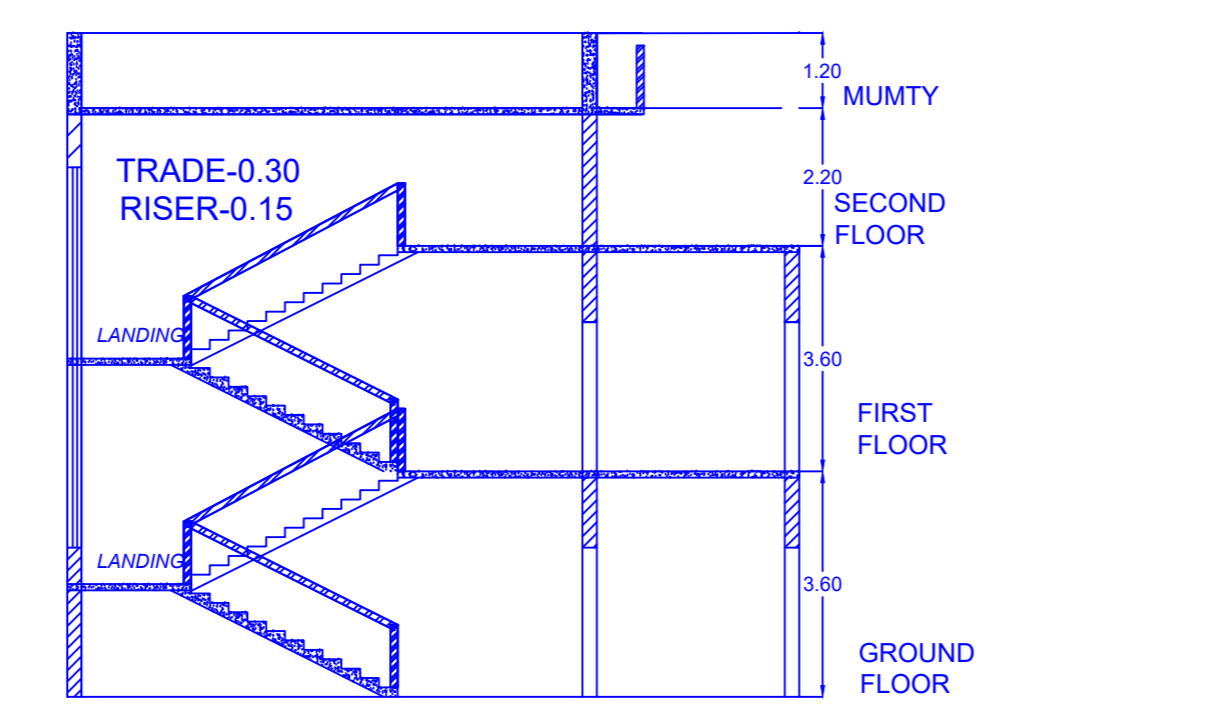
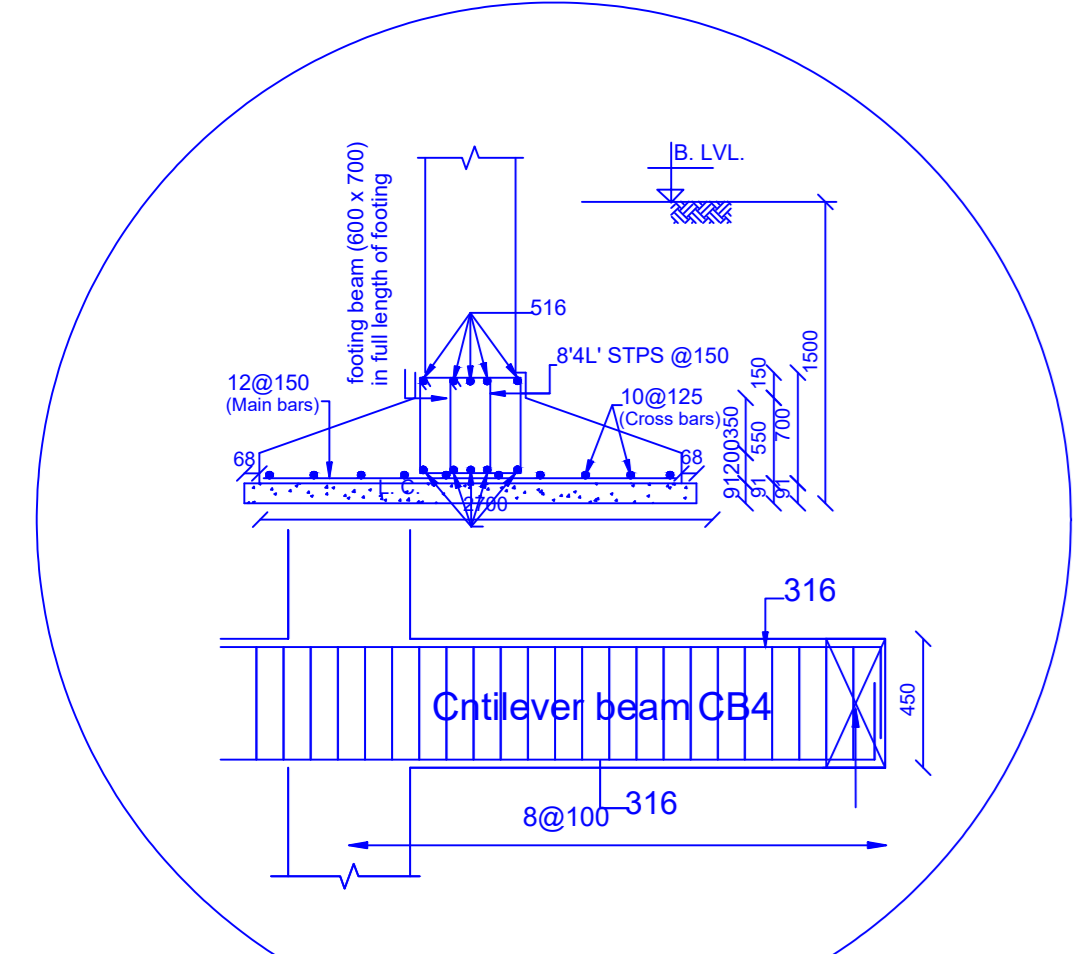
SIGNATURE (OWNER)



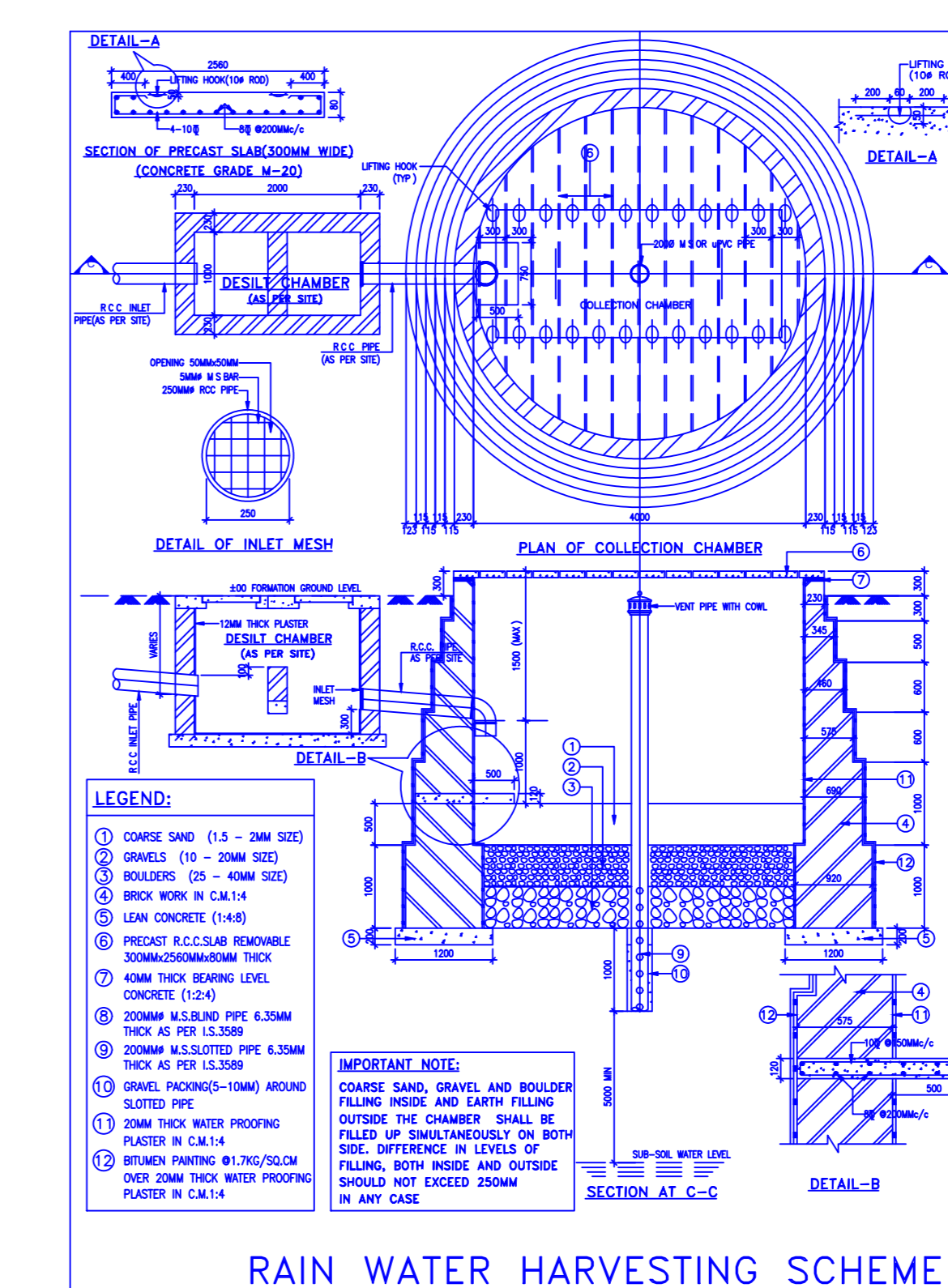
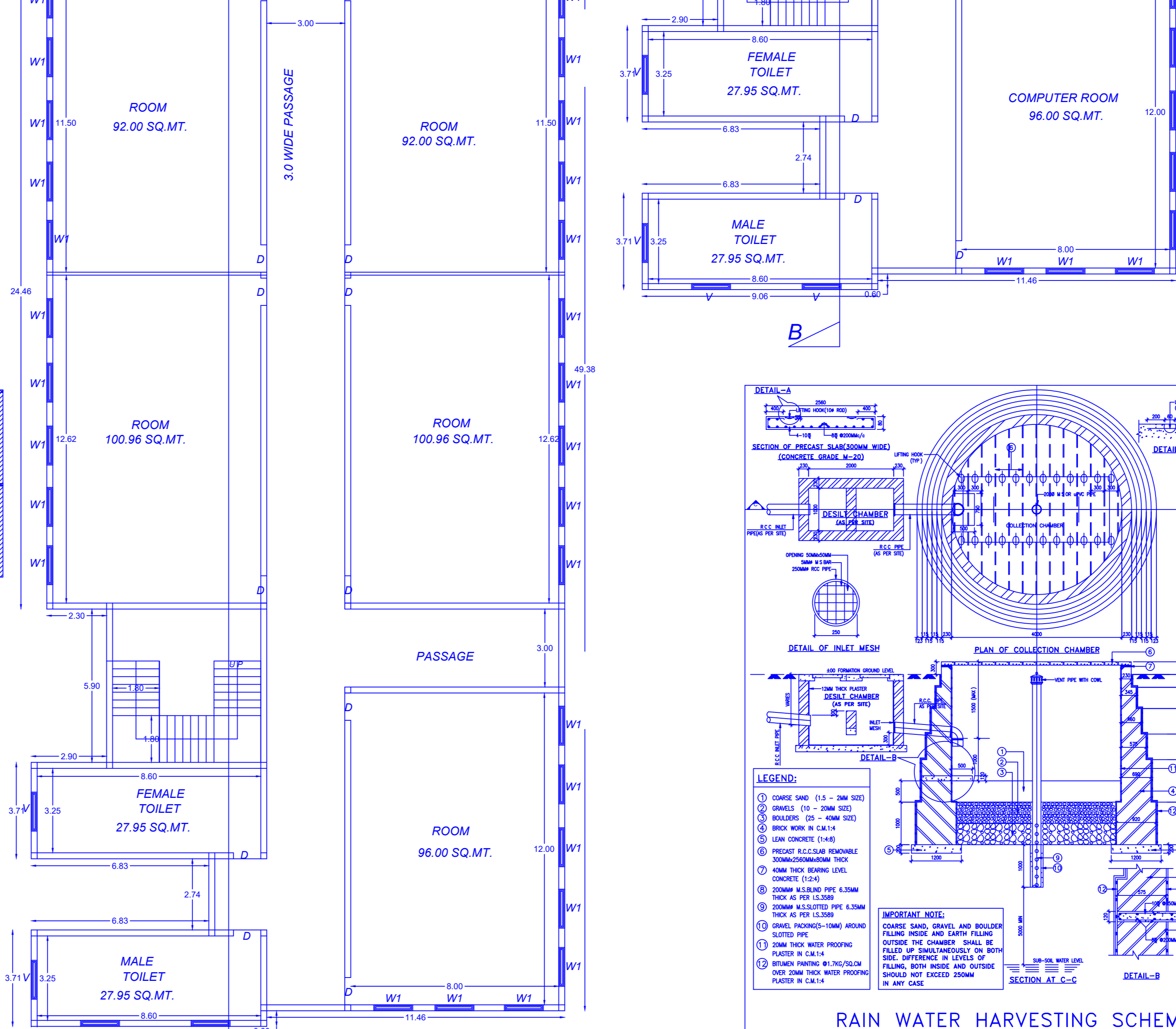
FRONT ELEVATION PLAN SCALE :-1:100



SECTION AT- A B SACLE :-1:100



SECTION AT - CD SCALE :-1:100



RAIN WATER HARVESTING SCHEME