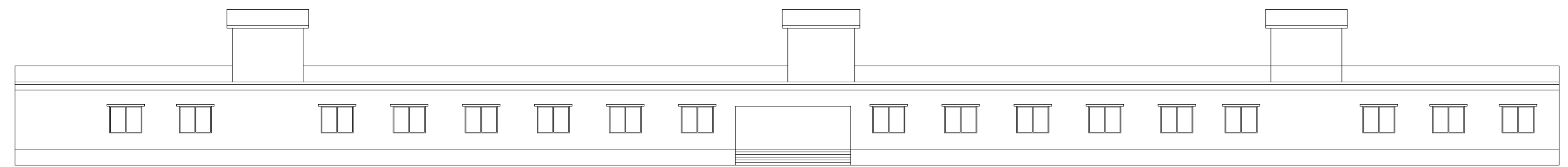
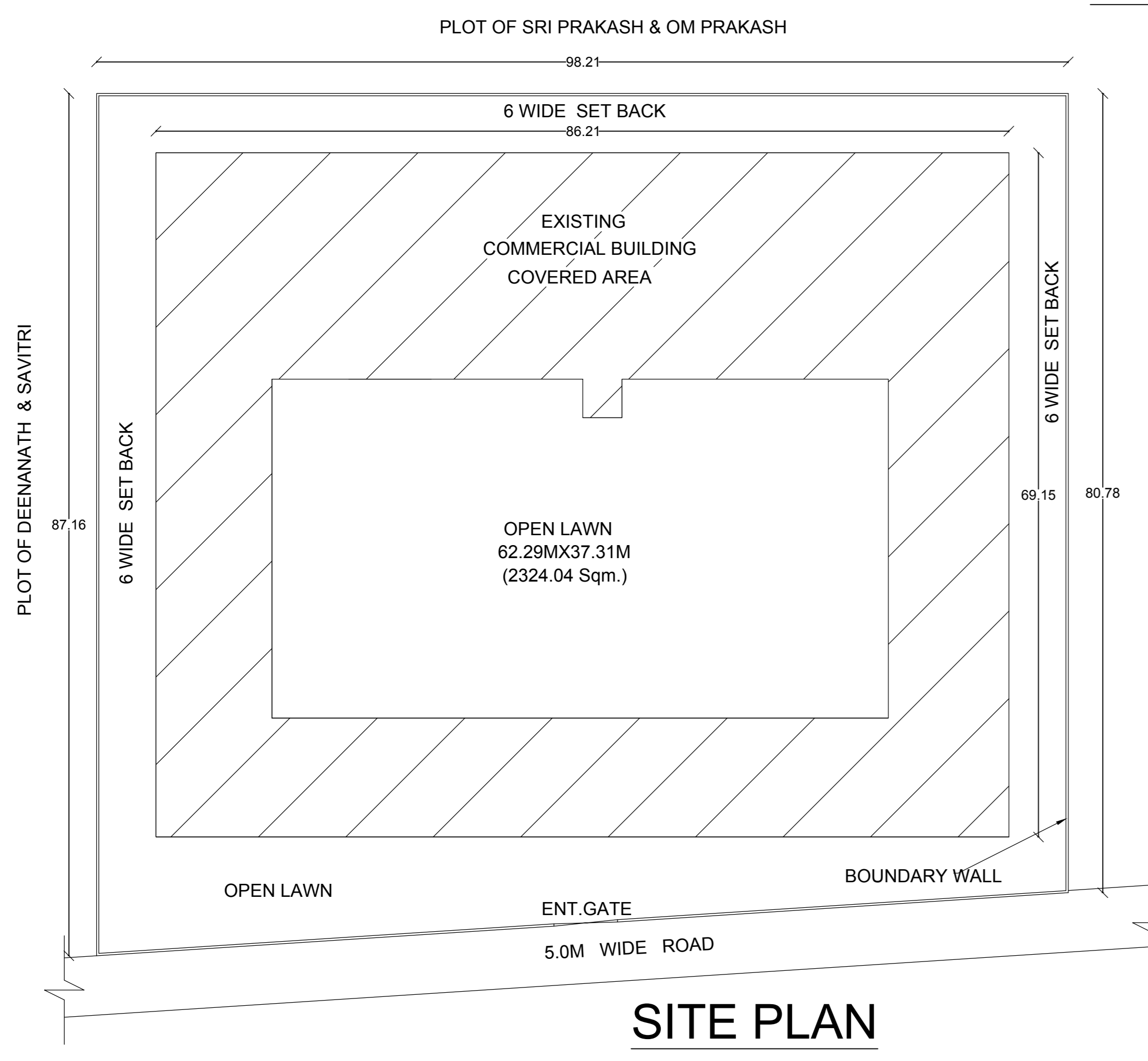


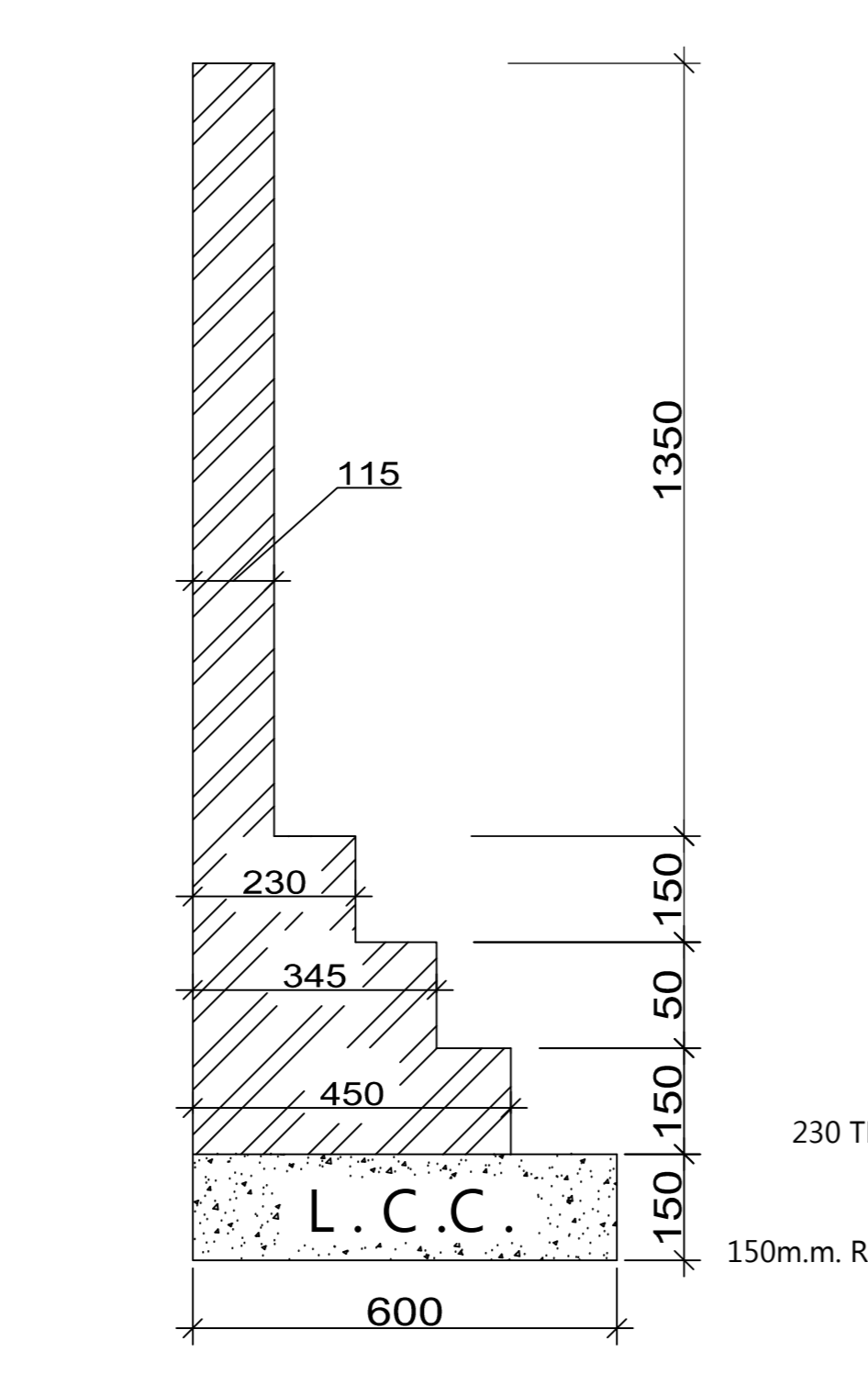
EXI.GROUND FLOOR PLAN



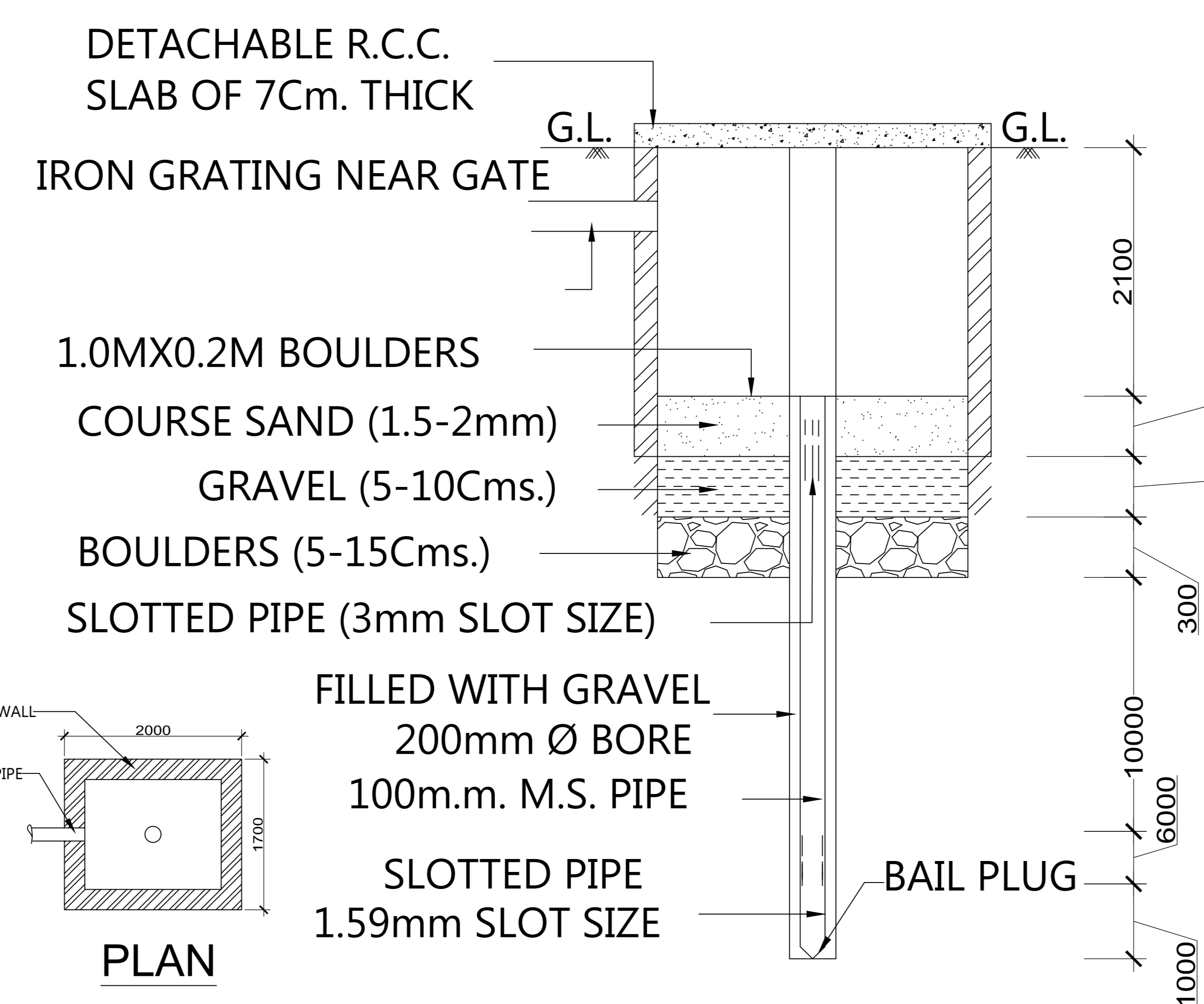
FRONT ELVATION



SITE PLAN

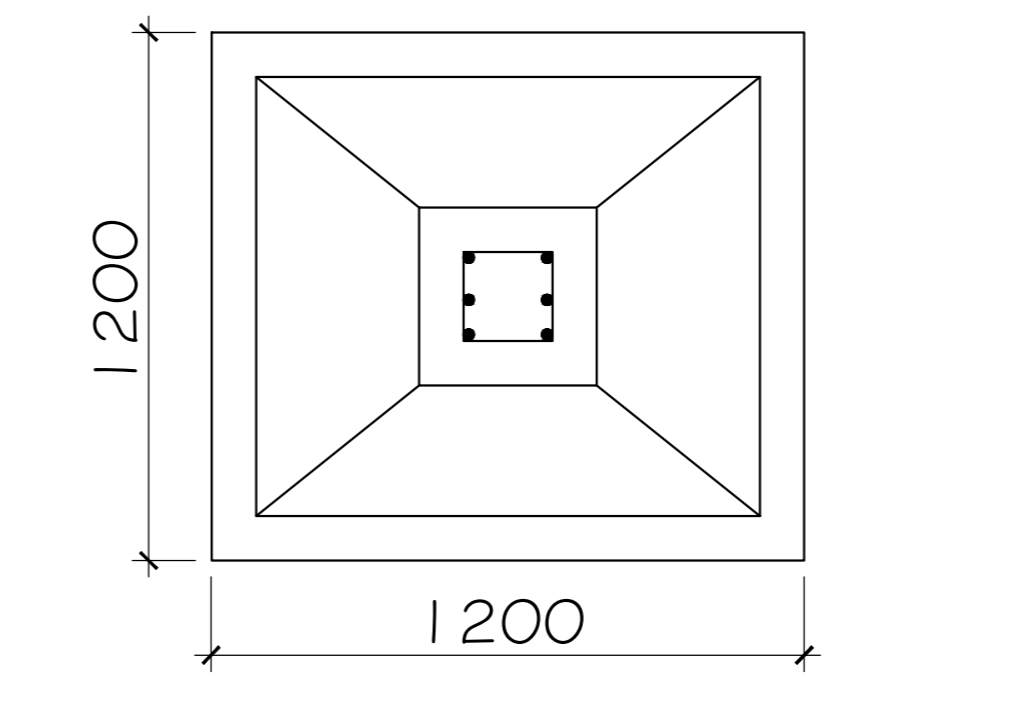
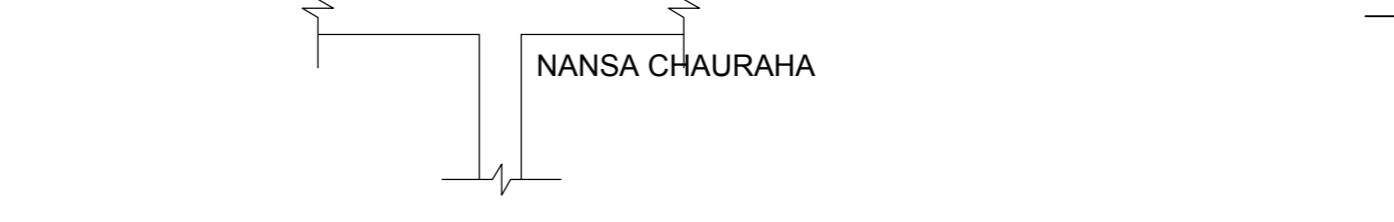


BOUNDARY WALL FOUNDATION DETAIL

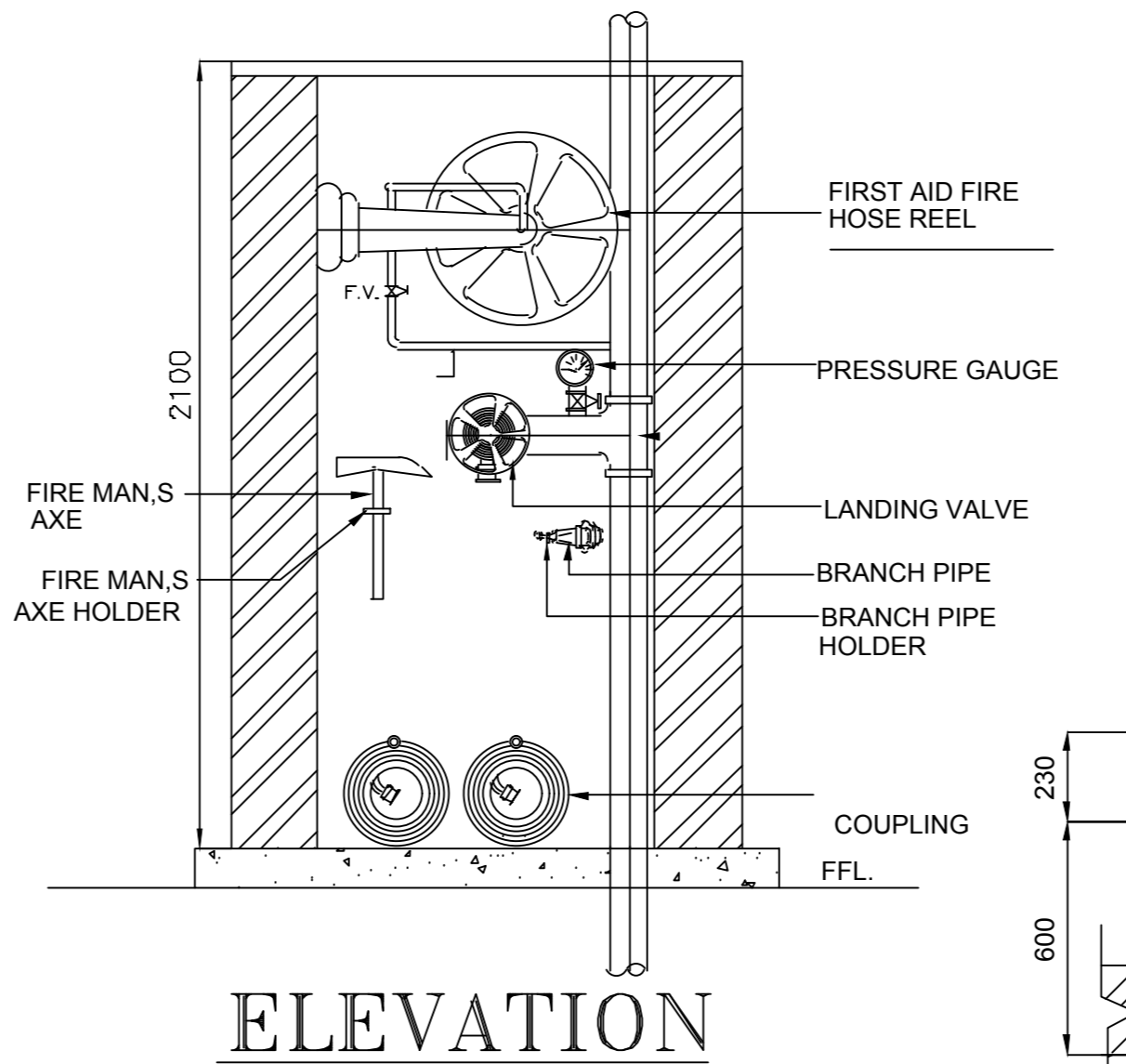


DETAIL OF FIRE HOSE CABINET

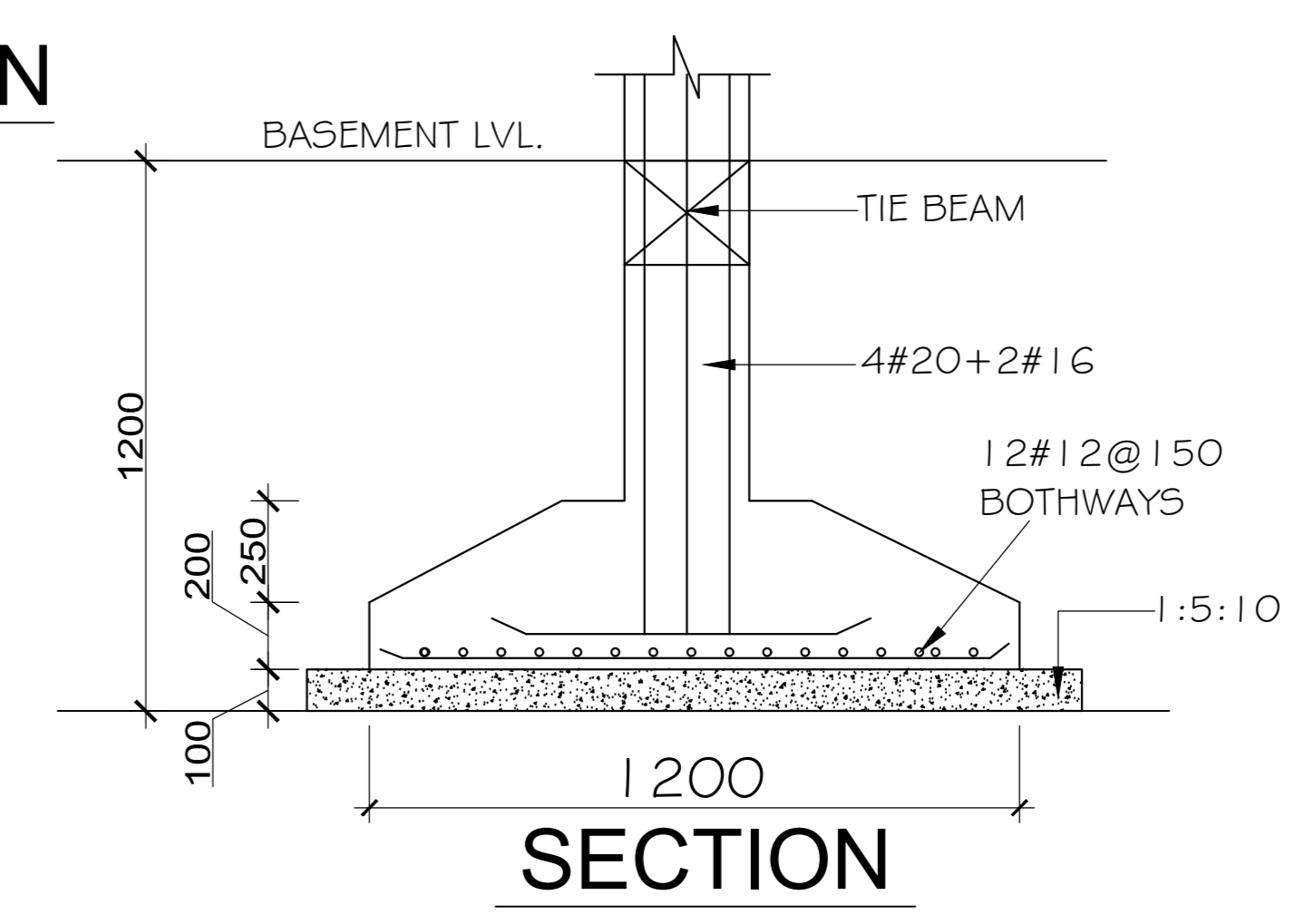
KEY PLAN



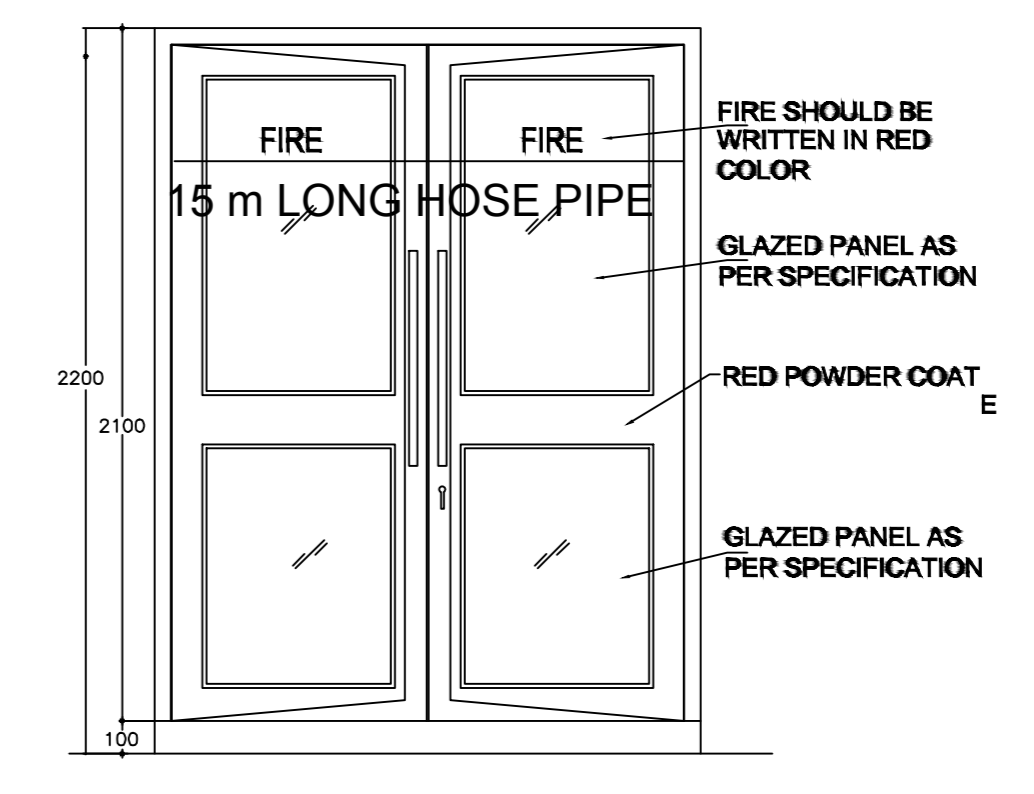
FOUNDATION DETAIL



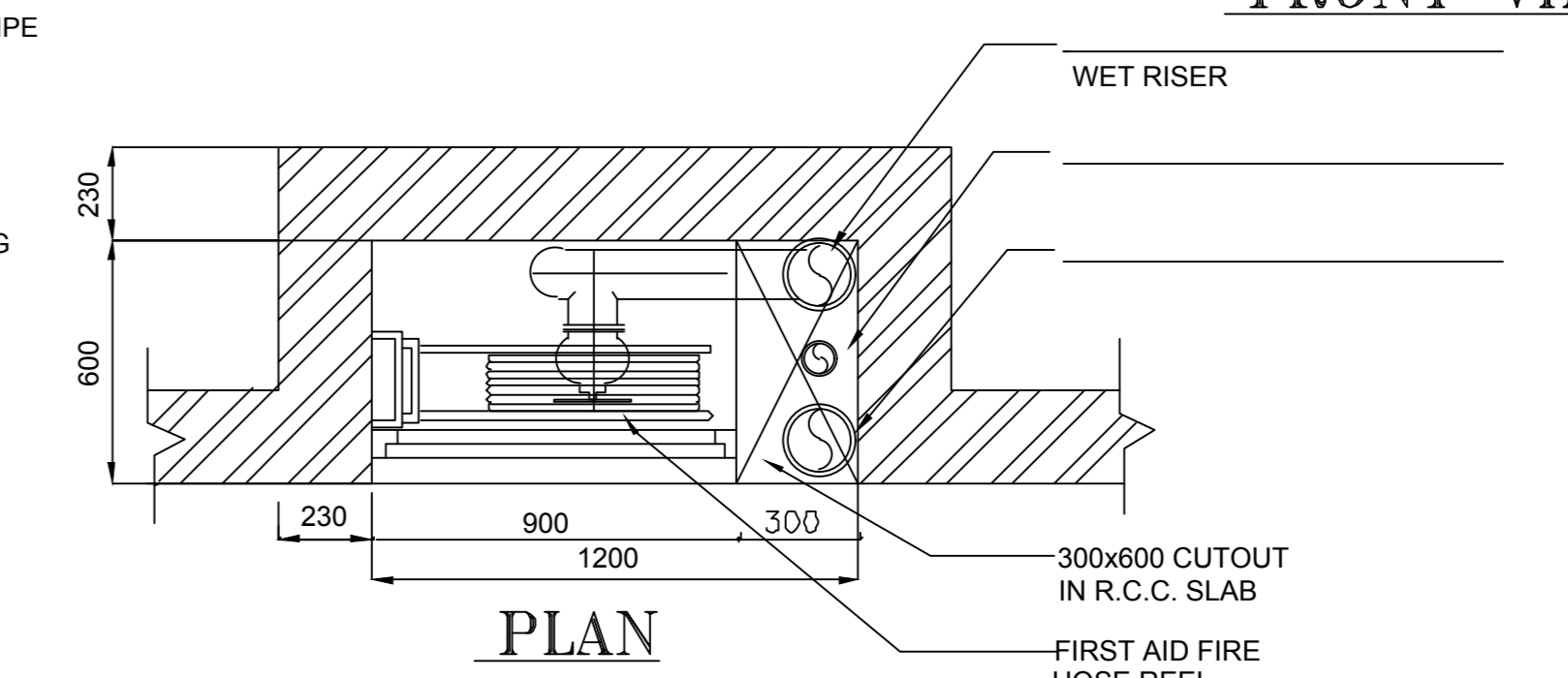
ELEVATION



SECTION



FRONT VIEW



PLAN

NAME OF SCHOOL
SHRI JAMUNA PRASAD MAURYA
COLLEGE OF PHARMACY KHEWALI,
VARANASI
ARJI NO.139
0.316He,0.750 29/100 He. (10660Sqmt)

SCHEDULE OF AREA	Sqmt
PLOT AREA	8246.47 Sqmt
EXL. COVERED AREA G.F.	3844.01 Sqmt
OPEN AREA	4402.46 Sqmt

DOOR WINDOW SCHEDULE

D...4'-0"x7'-0" D1...2'-6"x7'-0" W...6'-0"x5'-0"

LEGEND:-

	1500 M.S. FIRE WET RISER
	BUTTERFLY VALVE (PN16)
	AIR RELEASE VALVE
	FIRST AID FIRE HOSE REEL 36.5 LENGTH x 20 MM Ø
	SINGLE OUTLET LANDING VALVE

FIRE EXTINGUISHERS	10
HOSE REEL	3
SPRMKLER SYTEM POINT	0
AUTO AND MANUAL ALARM SYSTEM	
HYDRANT SYSTEM HAND	0
TERRACE TANK	25000L
900 LPM ELECTRIC PUMP	

SCHEDULE OF STAIRCASE DETAILS

STAIR WIDE - 1.5
 RISER - 0.15
 TREAD - 0.3

NOTE- ALL INFORMATION GIVEN BY PARTY

SCALE:-
 N.T.S.

NORTH:-

APPLICANT

DRAW BY Er.

INSTRUCTIONAL AREA	CIRCULATION AREA
CLASS ROOM = (101.15 Sqm.) CLASS ROOM = (101.15 Sqm.) MACHINE ROOM = (101.15 Sqm.) LAB ROOM = (101.15 Sqm.) LAB ROOM = (101.15 Sqm.) LAB ROOM = (101.15 Sqm.) LAB ROOM = (101.15 Sqm.) LAB ROOM = (101.15 Sqm.) LAB ROOM = (101.15 Sqm.) LIBRARY = (168.18 Sqm.) SEMINAR HALL = (166.80 Sqm.) COMPUTER CENTER = (101.15 Sqm.) CAFETERIA = (101.15 Sqm.) ROOM = (85.1 Sqm.) ROOM = (79.61 Sqm.) ROOM = (77.41 Sqm.) MUSEUM = (77.41 Sqm.) BOARD ROOM = (32.23 Sqm.) FACULTY ROOM = (35.7 Sqm.) TUTORIAL ROOM = (79.51 Sqm.) PLACEMENT OFFICE = (32.76 Sqm.) TUTORIAL ROOM = (79.51 Sqm.) EXAMINATION CONTROL = (55.82 Sqm.)	TOTAL = 2635.93 Sqmt
ADMINISTRATIVE AREA	
PRINCIPAL = (32.23 Sqm.) OFFICE = (131.07 Sqm.) CENTRAL STORE (166.47 Sqm.) STATIONARY STORE = (55.82 Sqm.) PANTRY = (18.38 Sqm.) SECURITY OFFICE = (18.38 Sqm.) HOUSEKEEPING = (22.79 Sqm.)	
AMENITIES AREA	
GIRLS COMMON ROOM = (101.15 Sqm.) BOYS COMMON ROOM = (101.15 Sqm.) TOILET = (59.00 Sqm.) FIRST AID CUM SICK ROOM = (32.76 Sqm.)	