

NAME OF SCHOOL
SHRI JAMUNA PRASAD MAURYA
COLLEGE OF PHARMACY KHEWALI,
VARANASI
ARJI NO.139
0.316He.0.750 29/100 He. (10660Sqmt)

SCHEDULE OF AREA	Sqmt
PLOT AREA	8246.47 Sqmt
EXI. COVERED AREA G.F.	3844.01 Sqmt
OPEN AREA	4402.46 Sqmt

DOOR WINDOW SCHEDULE

D...4'-0"X7'-0" D1...2'-6"X7'-0" W...6'-0"X5'-0"

LEGEND:-

	1500 M.M. FIRE WET RISER
	BUTTERFLY VALVE (P.N.10)
	AIR RELEASE VALVE
	FIRST AID FIRE HOSE REEL 30.5 LENGTH X 20 MM Ø
	SINGLE OUTLET LANDING VALVE

FIRE EXTINGUISHERS	10
HOSE REEL	3
SPRMKLER SYTEM POINT	0
AUTO AND MANUAL ALARM SYSTEM	
HYDRANT SYSTEM HAND	0
TERRACE TANK	25000L

900 LPM ELECTRIC PUMP

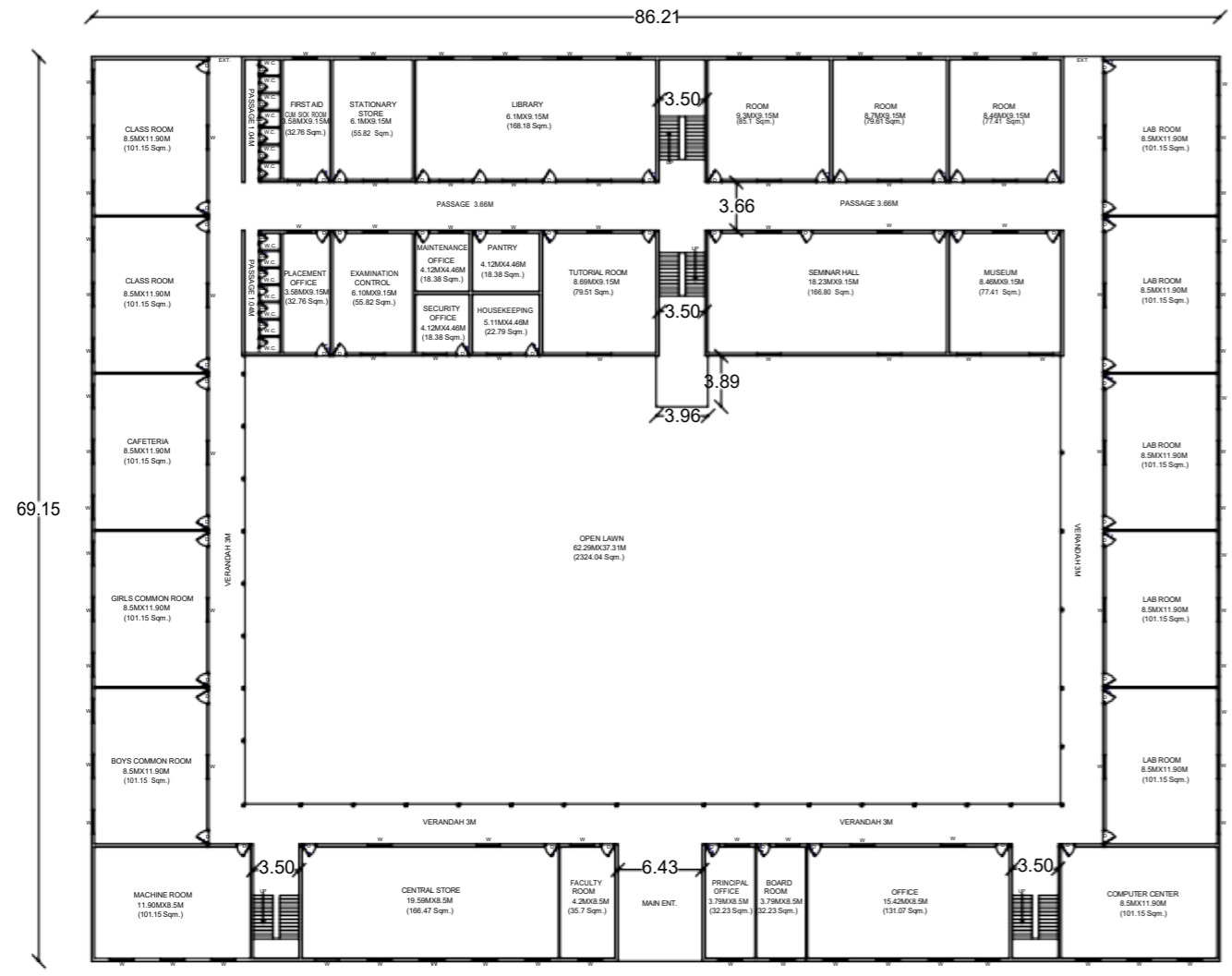
SCHEDULE OF STAIRCASE DETAILS

STAIR WIDE - 1.5
RISER - 0.15
TREAD - 0.3

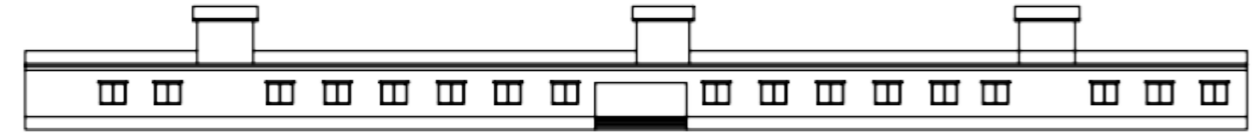
NOTE:- ALL INFORMATION GIVEN BY PARTY

SCALE:-
N.T.S.

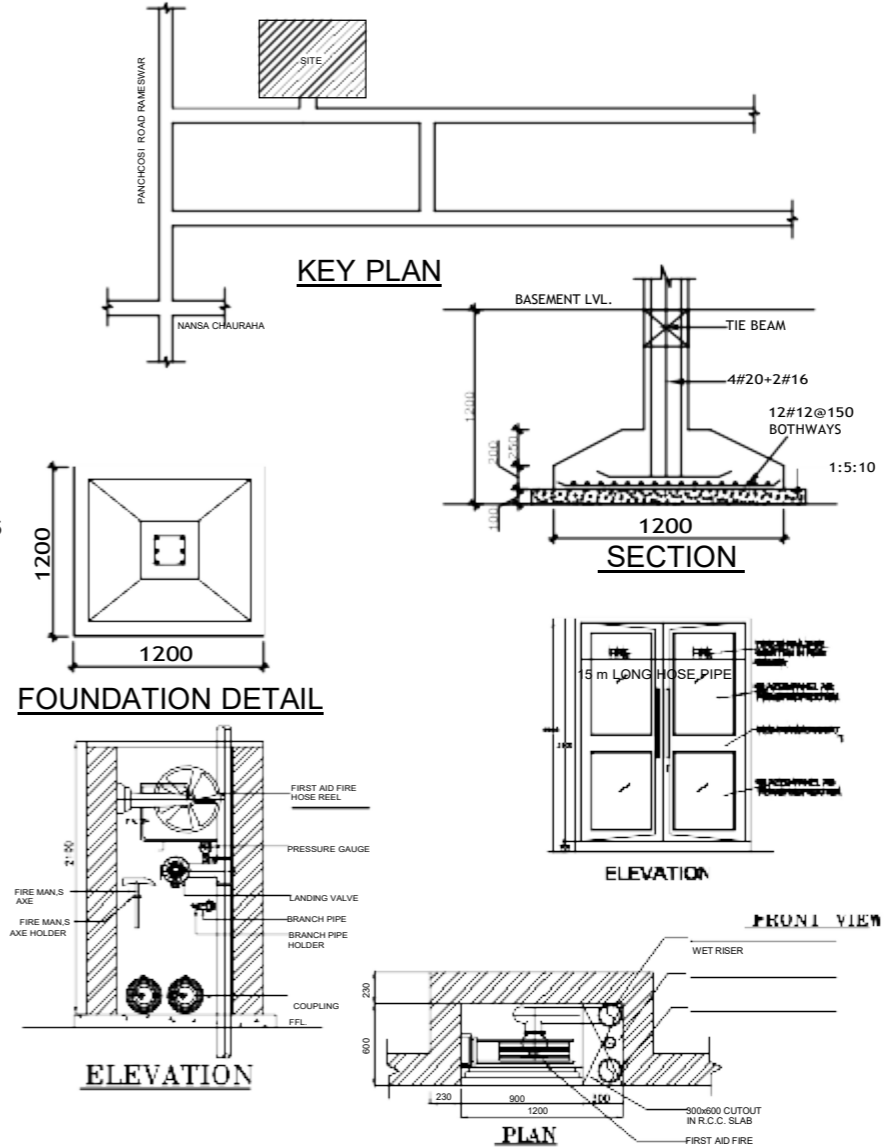
NORTH:- 	APPLICANT
ARCHITECT SIGN 	



EXI.GROUND FLOOR PLAN

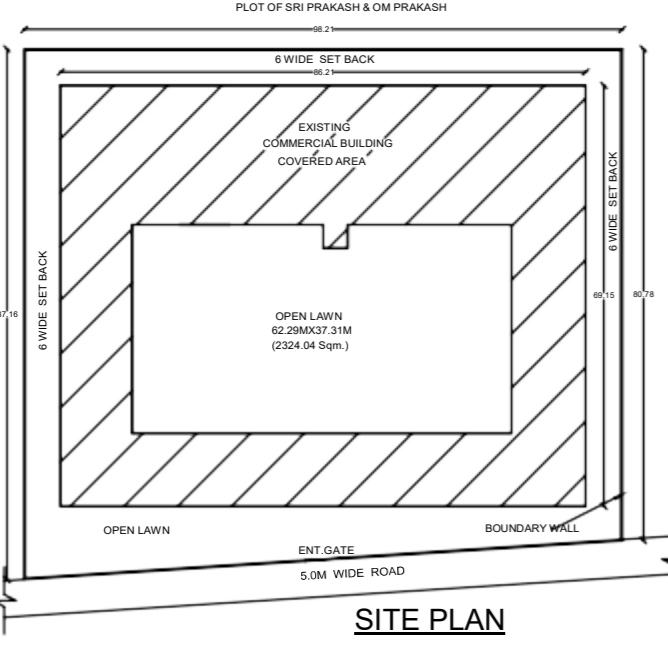


FRONT ELVATION

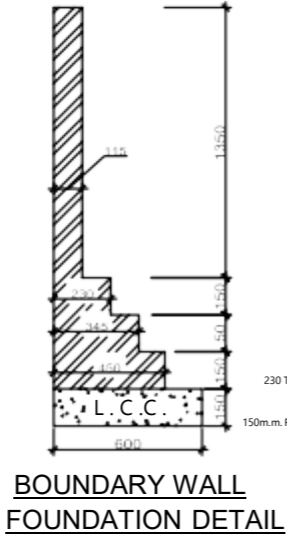


DETAIL OF FIRE HOSE CABINET

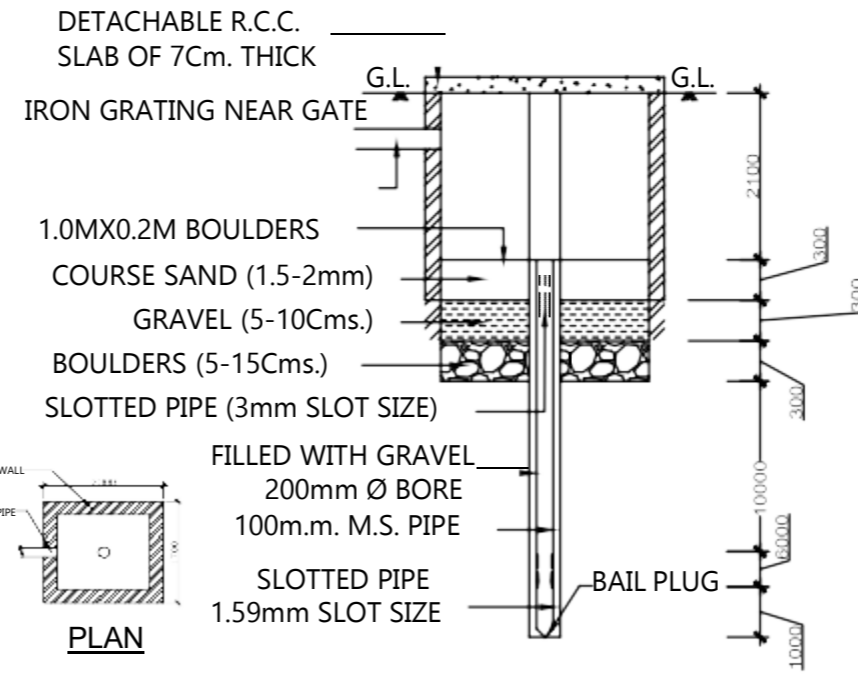
INSTRUCTIONAL AREA	CIRCULATION AREA
CLASS ROOM = (101.15 Sqm.) CLASS ROOM = (101.15 Sqm.) MACHINE ROOM = (101.15 Sqm.) LAB ROOM = (101.15 Sqm.) LAB ROOM = (101.15 Sqm.) LAB ROOM = (101.15 Sqm.) LAB ROOM = (101.15 Sqm.) LAB ROOM = (101.15 Sqm.) LIBRARY = (168.18 Sqm.) SEMINAR HALL = (166.80 Sqm.) COMPUTER CENTER = (101.15 Sqm.) CAFETERIA = (101.15 Sqm.) ROOM = (85.1 Sqm.) ROOM = (79.61 Sqm.) ROOM = (77.41 Sqm.) MUSEUM = (77.41 Sqm.) BOARD ROOM = (32.23 Sqm.) FACULTY ROOM = (35.7 Sqm.) TUTORIAL ROOM = (79.51 Sqm.) PLACEMENT OFFICE = (32.76 Sqm.) TUTORIAL ROOM = (79.51 Sqm.) EXAMINATION CONTROL = (55.82 Sqm.)	TOTAL = 2635.93 Sqmt
ADMINISTRATIVE AREA PRINCIPAL = (32.23 Sqm.) OFFICE = (131.07 Sqm.) CENTRAL STORE (166.47 Sqm.) STATIONARY STORE = (55.82 Sqm.) PANTRY = (18.38 Sqm.) SECURITY OFFICE = (18.38 Sqm.) HOUSEKEEPING = (22.79 Sqm.)	
AMENITIES AREA GIRLS COMMON ROOM = (101.15 Sqm.) BOYS COMMON ROOM = (101.15 Sqm.) TOILET = (59.00 Sqm.) FIRST AID CUM SICK ROOM = (32.76 Sqm.)	



SITE PLAN



BOUNDARY WALL FOUNDATION DETAIL



PLAN