

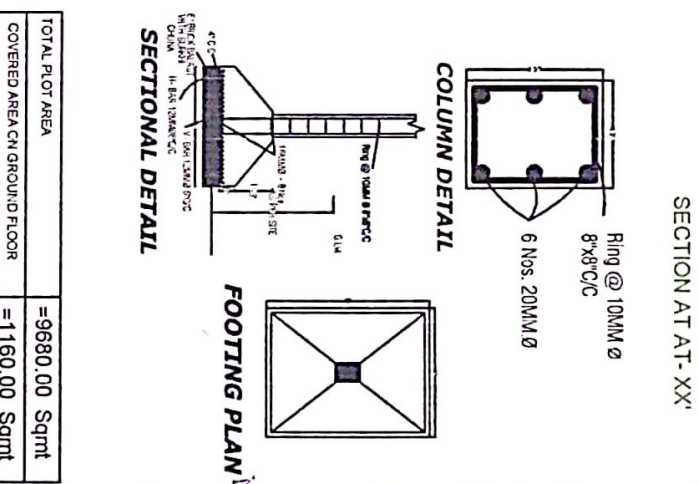
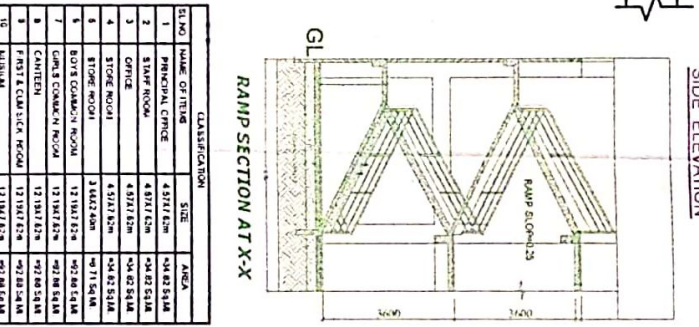
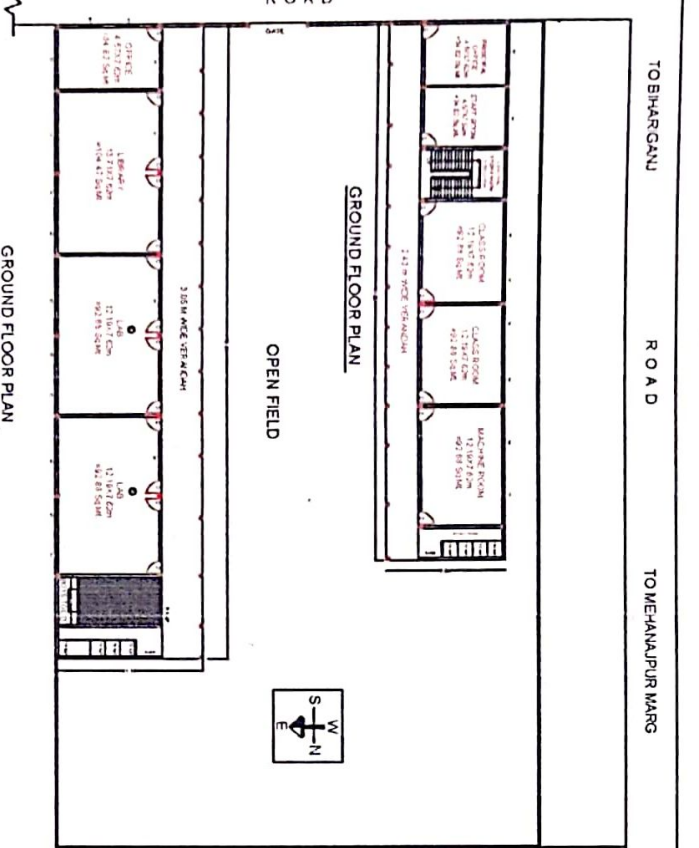
NAME OF TRUST
 KASHI NATH SHIKSHA SANSTHAN
 NARAYANPUR, KAKRAHI,
 DISTRICT-GHAZIPUR,
 (U.P.), 233304

NAME OF INSTITUTE
 DR. KASHI NATH COLLEGE OF PHARMACY
 NARAYANPUR, KAKRAHI,
 DISTRICT-GHAZIPUR,
 (U.P.), 233304

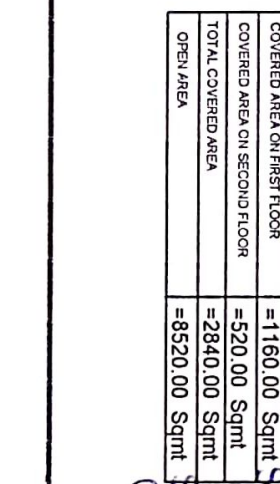
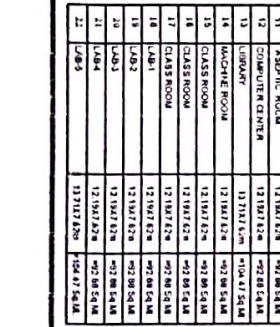
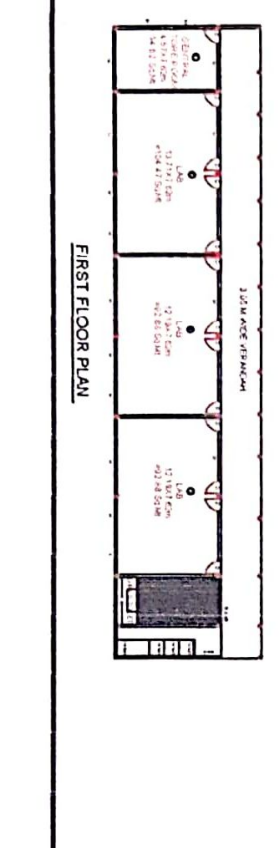
COURSE NAME
 DIPLOMA IN PHARMACY

GATA NO. PLOT-NO.
 -201, 300, 310.

OWNERS SIGNATURE
 K.N. Kashinath
 Chairman
 Kashinath Shiksha Sansthan
 Narayanpur Kakrahi, Deulapur-Ghazipur



SL.NO	CLASSIFICATION	NAME OF ITEM	SIZE	AREA
1	PRINCIPAL OFFICE	4.51x7.62m	34.42 SQ.M	
2	STAFF ROOM	4.51x7.62m	34.42 SQ.M	
3	OFFICE	4.51x7.62m	34.42 SQ.M	
4	STORE ROOM	4.51x7.62m	34.42 SQ.M	
5	BOILER ROOM	3.66x2.40m	8.77 SQ.M	
6	BOILER ROOM	3.66x2.40m	8.77 SQ.M	
7	BOILER ROOM	3.66x2.40m	8.77 SQ.M	
8	CONTEN	12.19x7.62m	92.86 SQ.M	
9	FIRST & COM. SICK ROOM	12.19x7.62m	92.86 SQ.M	
10	MULTI HALL	12.19x7.62m	92.86 SQ.M	
11	ASSEMBLY ROOM	12.19x7.62m	92.86 SQ.M	
12	COMPUTER CENTER	12.19x7.62m	92.86 SQ.M	
13	LABORATORY	12.19x7.62m	92.86 SQ.M	
14	CLASS ROOM	12.19x7.62m	92.86 SQ.M	
15	CLASS ROOM	12.19x7.62m	92.86 SQ.M	
16	CLASS ROOM	12.19x7.62m	92.86 SQ.M	
17	CLASS ROOM	12.19x7.62m	92.86 SQ.M	
18	CLASS ROOM	12.19x7.62m	92.86 SQ.M	
19	CLASS ROOM	12.19x7.62m	92.86 SQ.M	
20	CLASS ROOM	12.19x7.62m	92.86 SQ.M	
21	CLASS ROOM	12.19x7.62m	92.86 SQ.M	
22	CLASS ROOM	12.19x7.62m	92.86 SQ.M	
TOTAL PLOT AREA				=9680.00 Sqmt
COVERED AREA ON GROUND FLOOR				=1160.00 Sqmt
COVERED AREA ON FIRST FLOOR				=1160.00 Sqmt
COVERED AREA ON SECOND FLOOR				=520.00 Sqmt
TOTAL COVERED AREA				=2840.00 Sqmt
OPEN AREA				=8520.00 Sqmt



ARCHITECT
 Bhalendra Singh (B.Arch.)
 CA-2002/29383
 SHAILENDRA SINGH ASSOCIATE
 Gurukrupa Complex, Nadesar, Varanasi (U.P.)