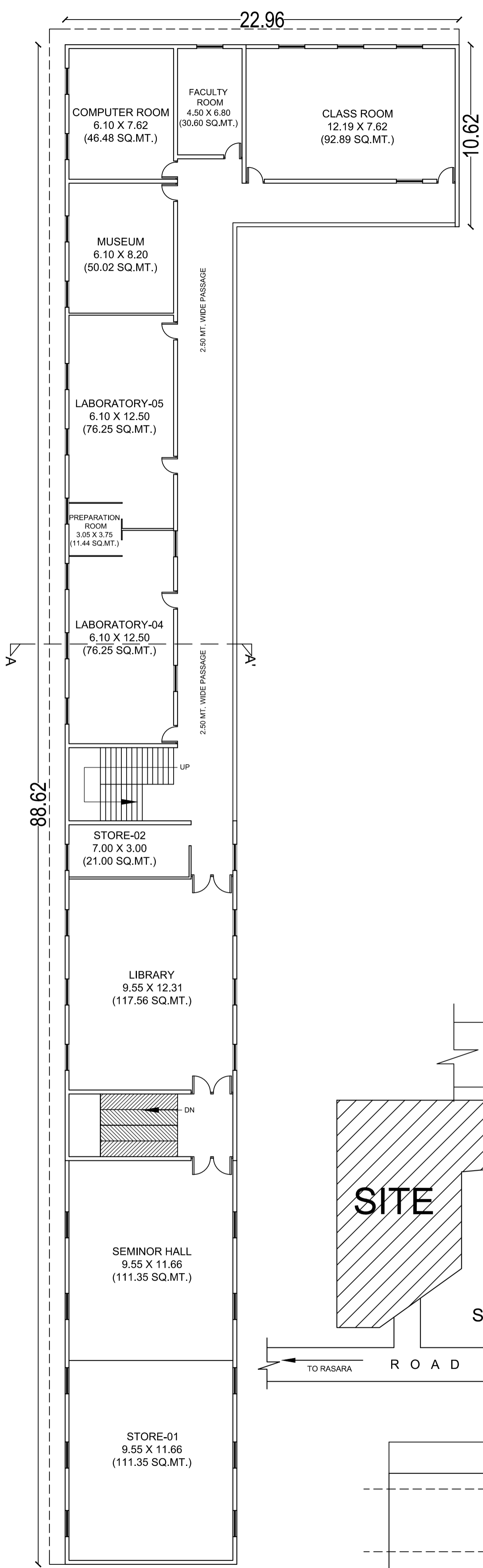
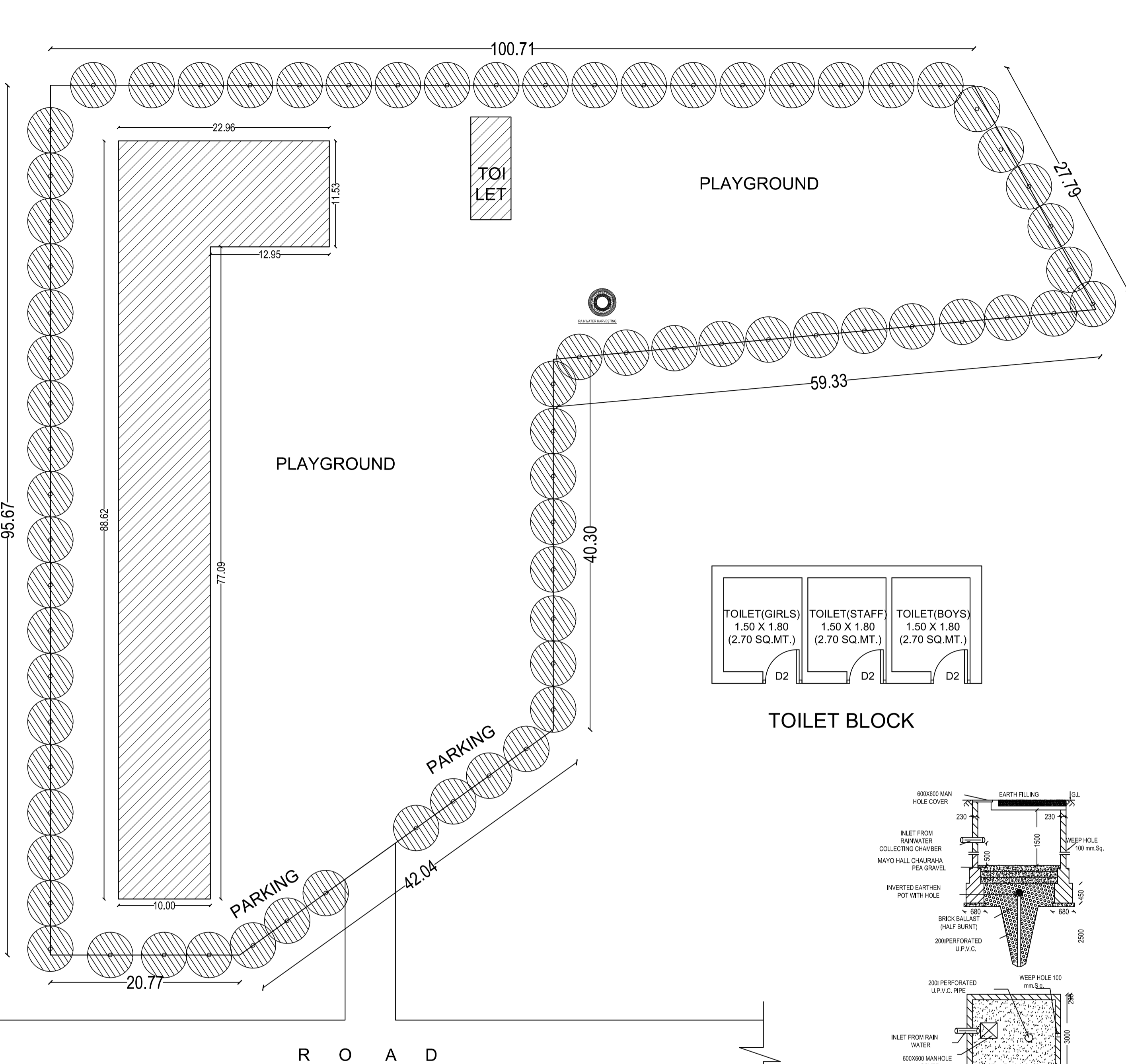


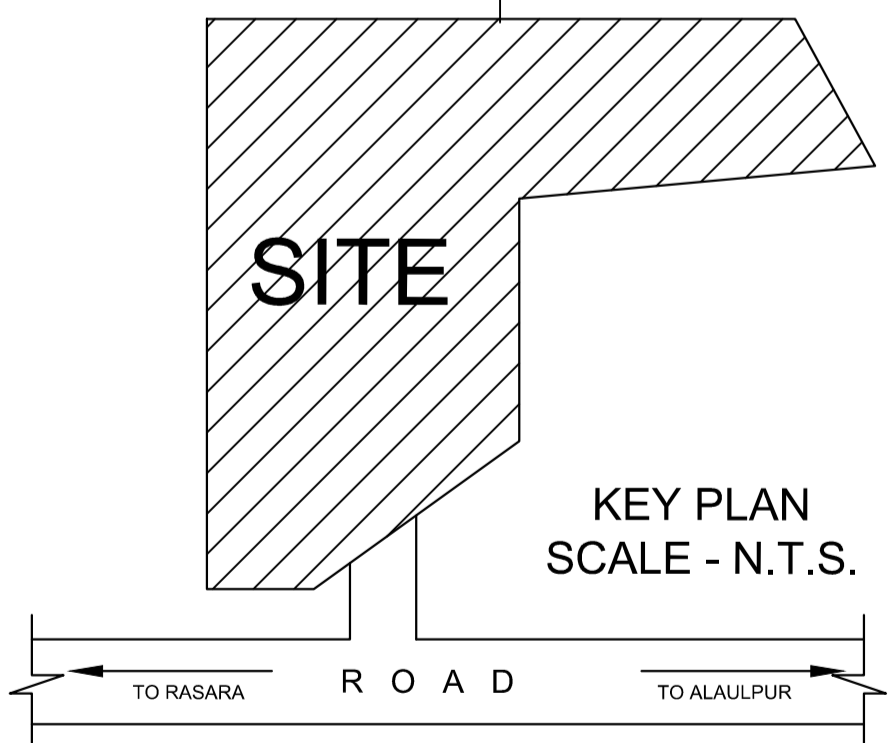
GROUND FLOOR PLAN
SCALE - 1:100



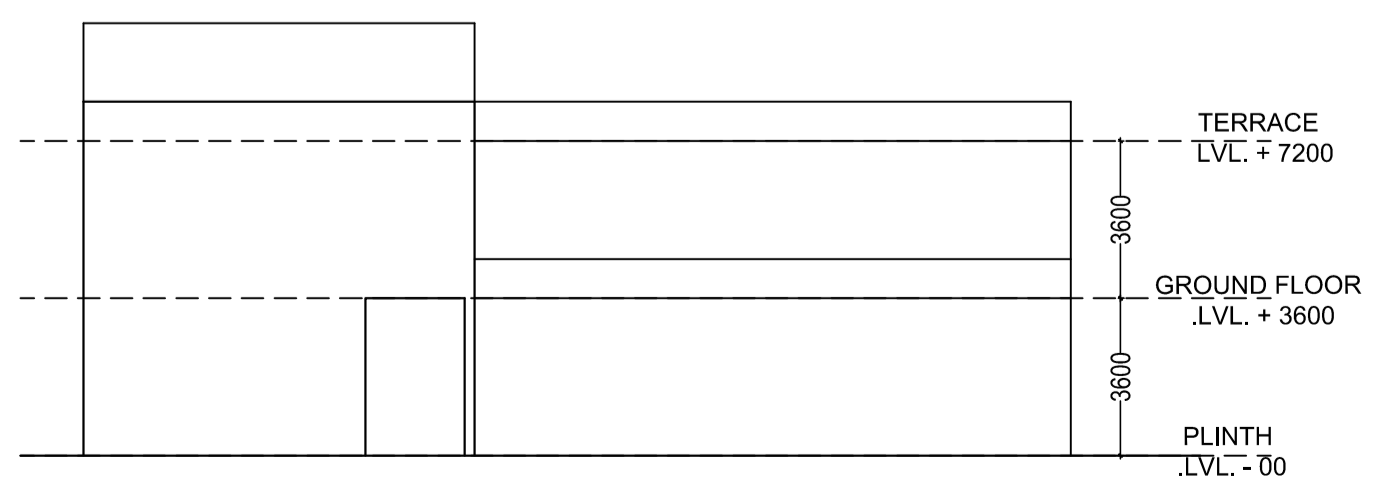
FIRST FLOOR PLAN
SCALE - 1:100



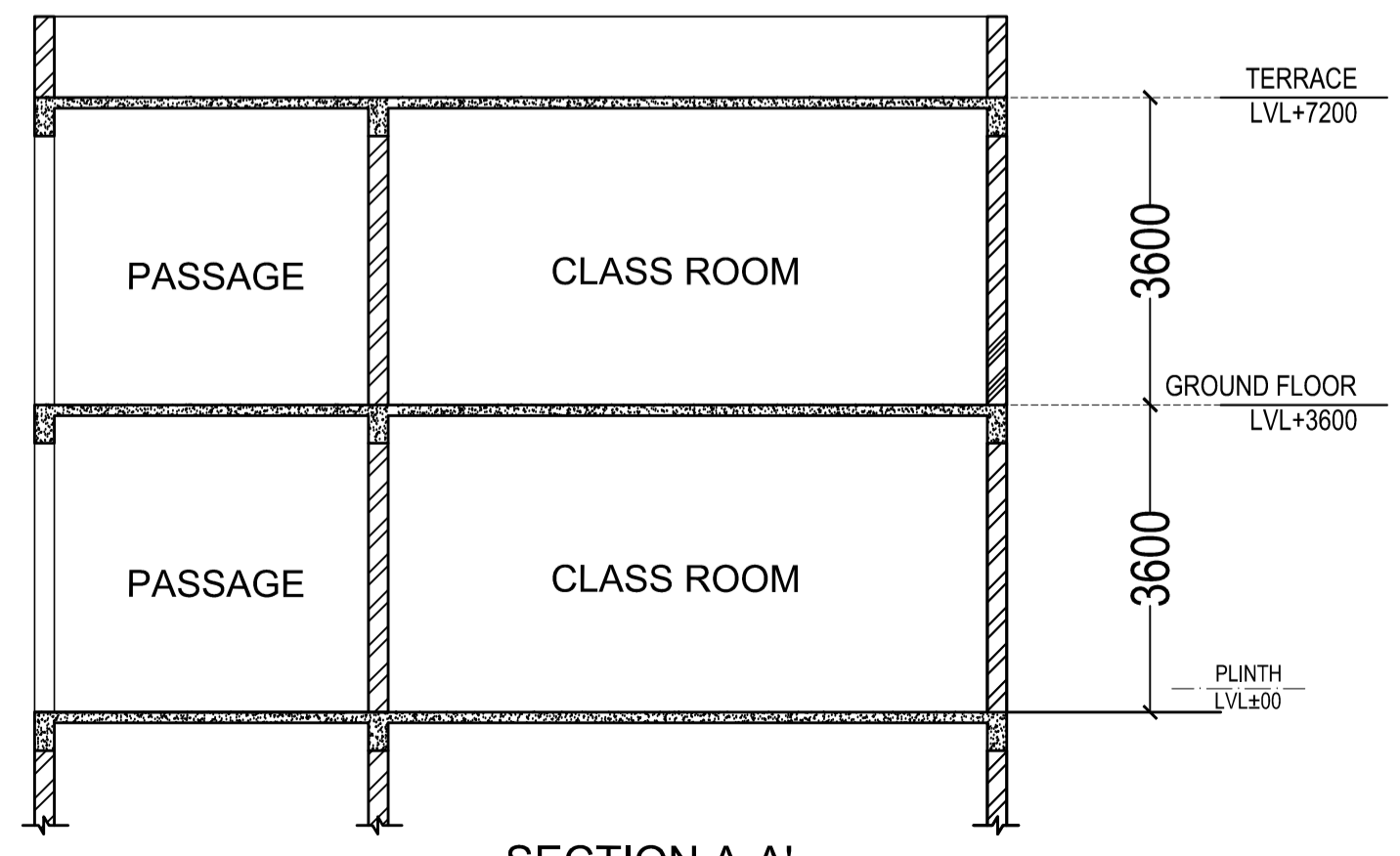
SITE PLAN
SCALE - 1:500



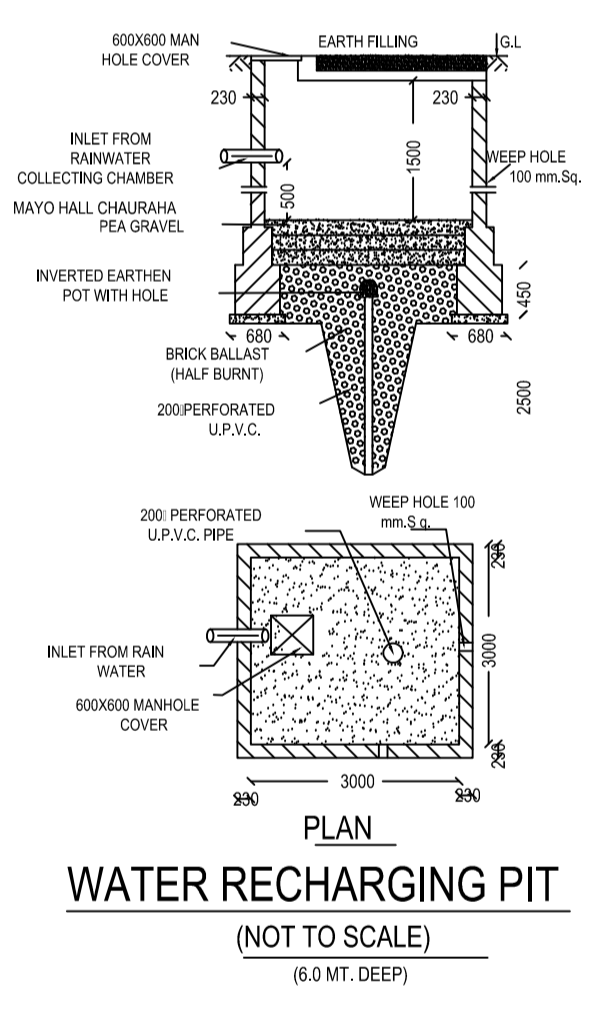
KEY PLAN
SCALE - N.T.S.



FRONT ELEVATION
SCALE - 1:100



SECTION A-A'
SCALE - 1:50



PLAN
WATER RECHARGING PIT
(NOT TO SCALE)
(6.0 MT. DEEP)

TRUST/SOCIETY :
SRI RAMCHARIT VINDHYACHAL AADARSH SIKSHA(NYAS)
AKHOLI URF VISHUNPUR ,PANDEYPUR RADHEY,
GHAZIPUR,U.P.

NAME OF INSTITUTION
SNSK INSTITUTE OF NURSING AND PARAMEDICAL

SITUATION
DAMODARPUR ,BARESAR ,GHAZIPUR ,U.P.

NAME OF PROGRAMME / COURSE
D.Pharm..

GATA NO. - 18,53,57,58,64,19,20,70,19,21,22

AREA OF PLOT - 8445.00 SQ.MT.

AREA STATEMENT		
1	TOTAL PLOT AREA	8445.00 SQ.MT.
2	COVERED AREA OF GROUND FLOOR	953.00 SQ.MT.
3	OPEN AREA ON GROUND FLOOR	7492.00 SQ.MT.
4	COVERED AREA OF FIRST FLOOR	953.00 SQ.MT.
5	TOTAL CARPET AREA	1430.76 SQ.MT.
6	TOTAL COVERED AREA	1906.00 SQ.MT.
7	GROUND COVERAGE %	11.28
8	ACHIEVED F.A.R.	0.23

AREA CALCULATION		
S.NO.	ROOM TYPE	CARPET AREA (SQ.MT.)
INSTRUCTIONAL AREA		
1	CLASS ROOM	92.89
2	MACHINE ROOM	92.89
3	LABORATORY -01	94.37
4	LABORATORY -02	94.37
5	LABORATORY -03	80.10
6	LABORATORY -04	76.25
7	LABORATORY -05	76.25
8	MUSEUM	50.02
9	ASEPTIC ROOM	31.60
10	COMPUTER CENTER	46.48
11	LIBRARY & READING ROOM	117.56
TOTAL AREA		852.78

ADMINISTRATIVE AREA		
S.NO.	ROOM TYPE	CARPET AREA (SQ.MT.)
1	PRINCIPAL/DIRECTOR OFFICE	30.60
2	STAFF ROOM	30.60
3	CENTRAL STORE-01	111.35
4	CENTRAL STORE-02	21.00
5	OFFICE	57.10
TOTAL AREA		250.65

AMENITIES AREA		
S.NO.	ROOM TYPE	CARPET AREA (SQ.MT.)
1	TOILET BLOCK	70.00
2	GIRLS COMMON ROOM	60.09
3	BOYS COMMON ROOM	60.39
4	SEMINOR HALL	111.35
5	FIRST AID ROOM	25.50
TOTAL AREA		327.33

CIRCULATION AREA		
S.NO.	ROOM TYPE	CARPET AREA (SQ.MT.)
1	STAIRCASE,CORRIDORS AND OTHER COMMON AREA	475.25
TOTAL CIRCULATION AREA		475.25
TOTAL AREA		1906.01

DOOR WINDOW SCHEDULE				
S.NO	TYPE	SIZE	CILL	LINTEL
1	D	1500X2550	-	2550
2	D1	1200X2100	-	2100
3	D2	1000X2100	-	2100
4	W	1200X1500	1050	2550
5	V	750X600	1800	2550

SCALE 1-100 NORTH

ARCHITECTS SIGN.
D.K. Upadhyay
Ar. D. K. UPADHYAY
CA/2019/112428

OWNER SIGN.