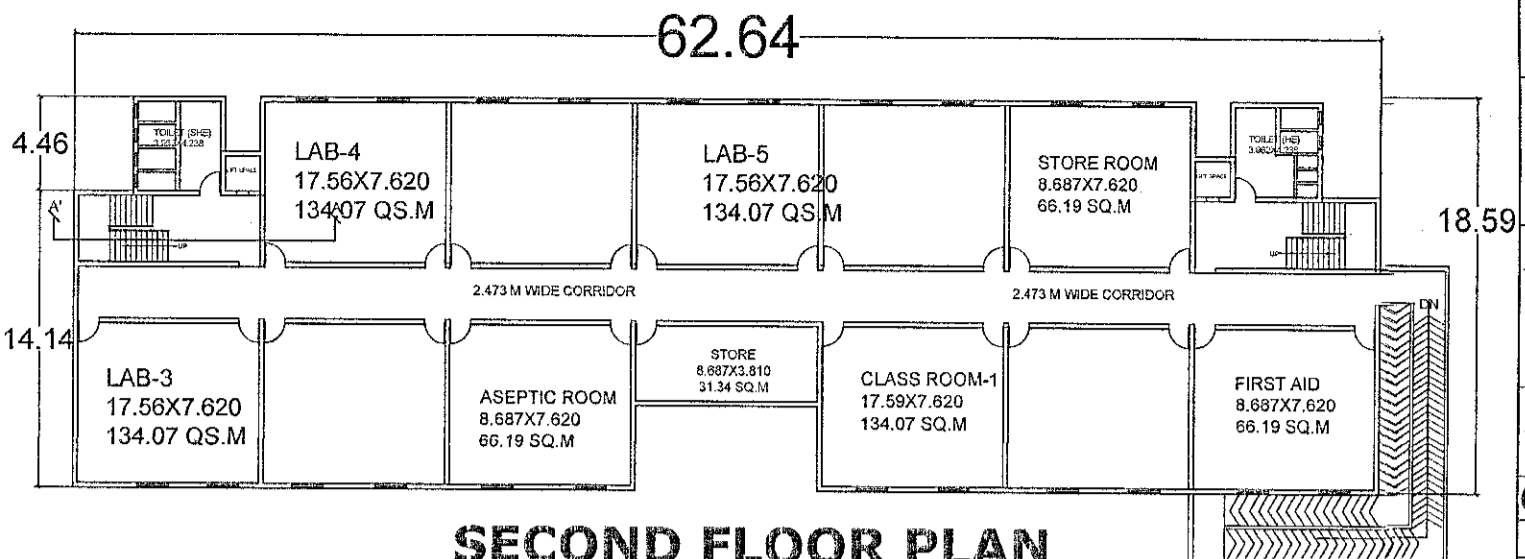
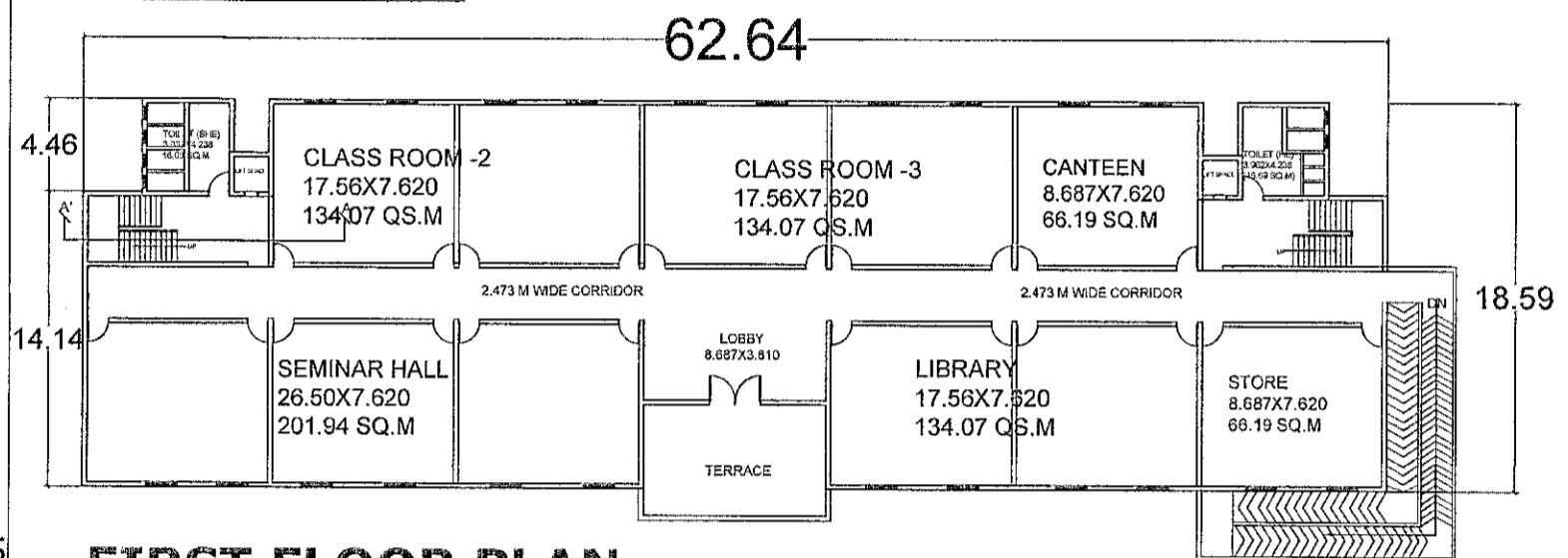


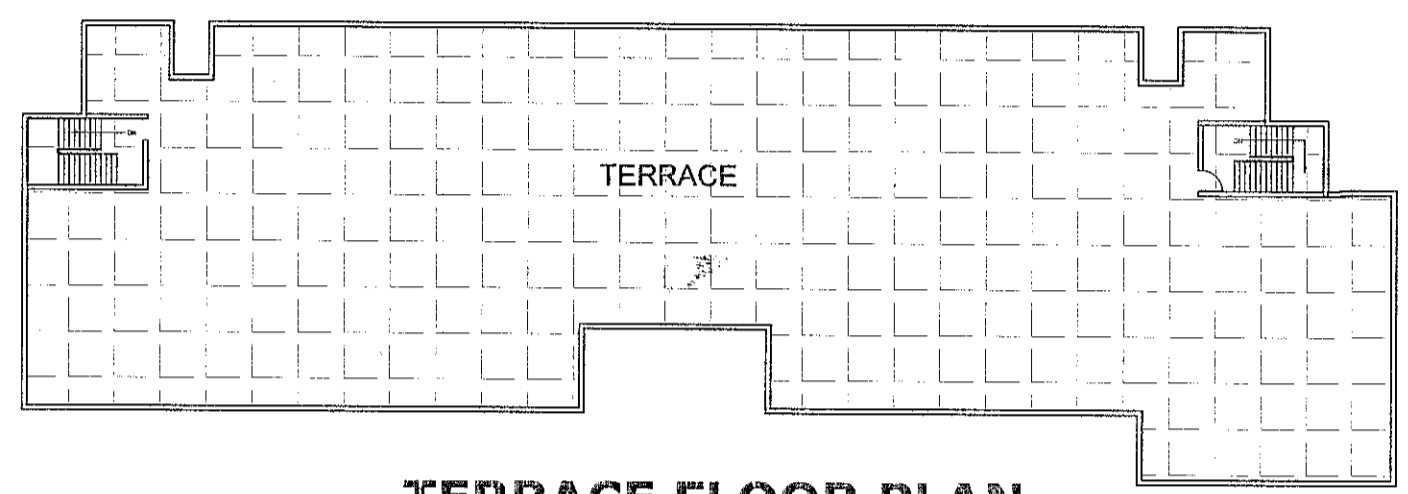
GROUND FLOOR PLAN
SCALE 1:100



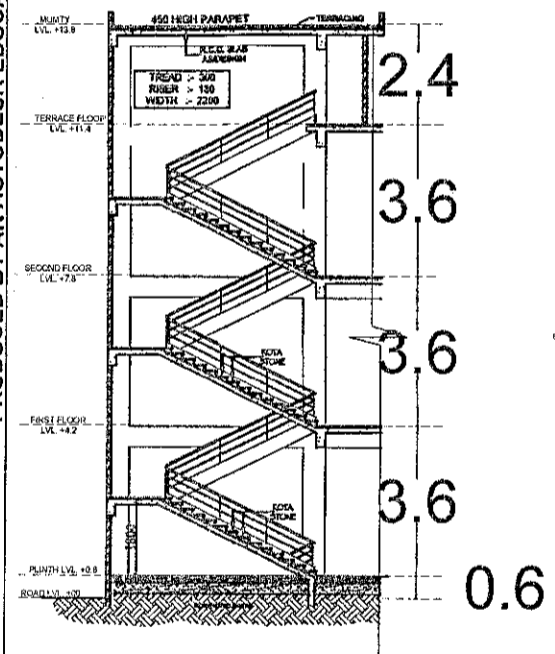
SECOND FLOOR PLAN
SCALE 1:100



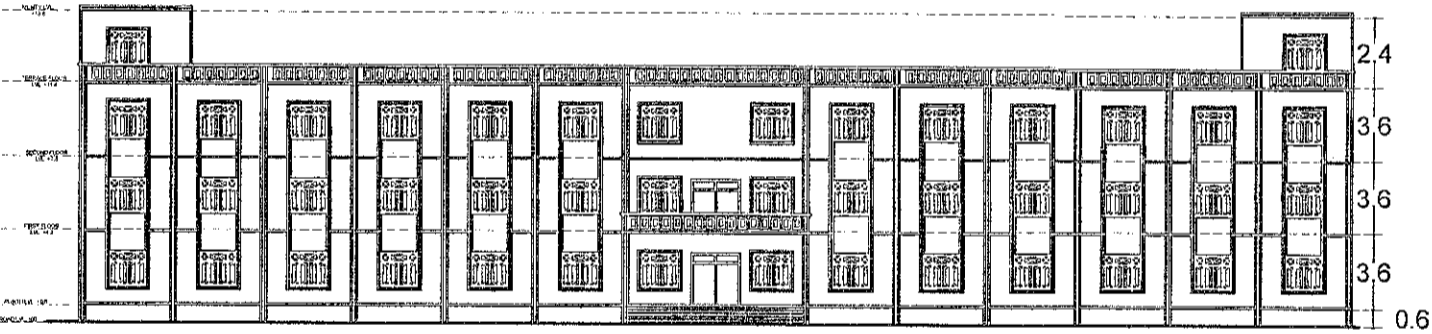
FIRST FLOOR PLAN
SCALE 1:100



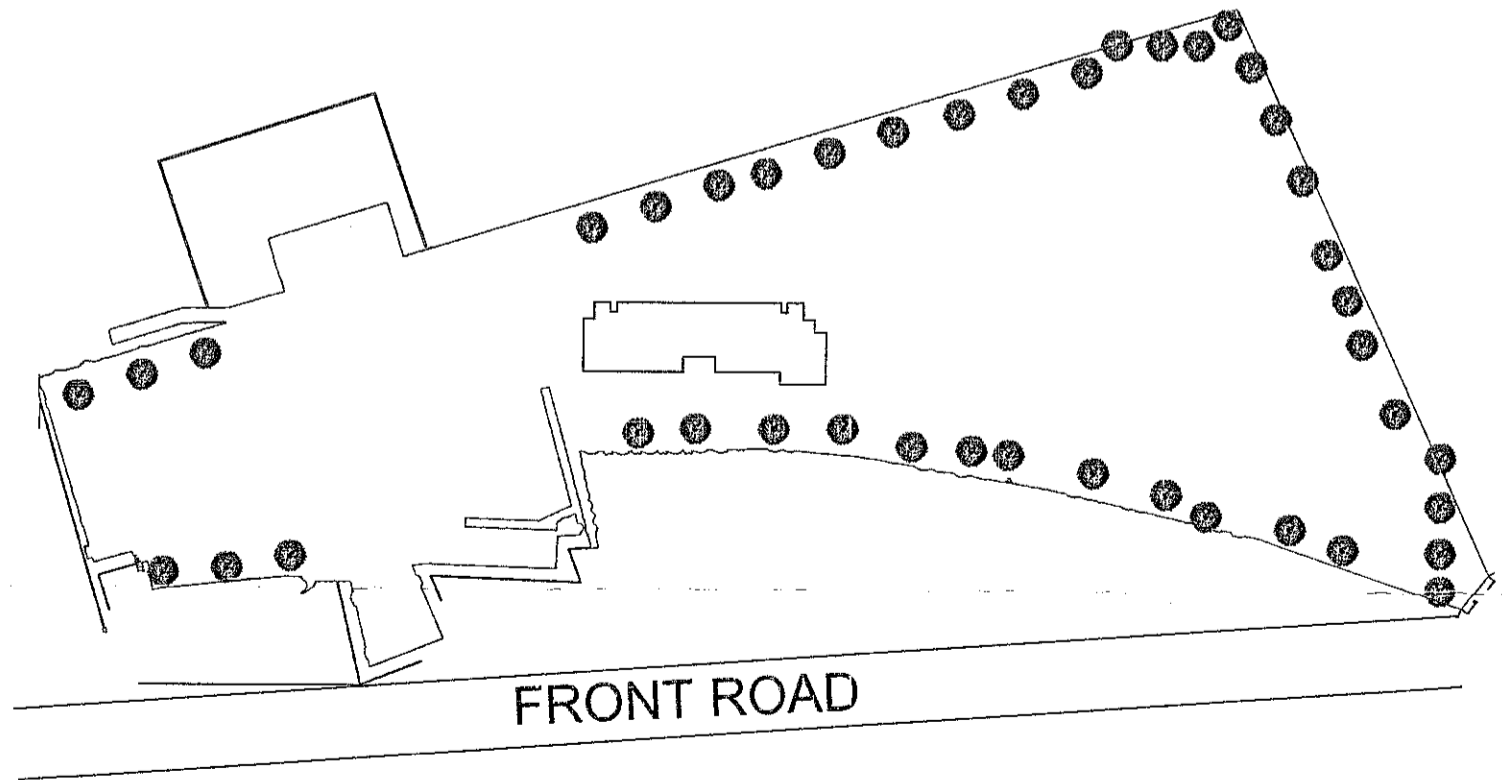
TERRACE FLOOR PLAN
SCALE 1:100



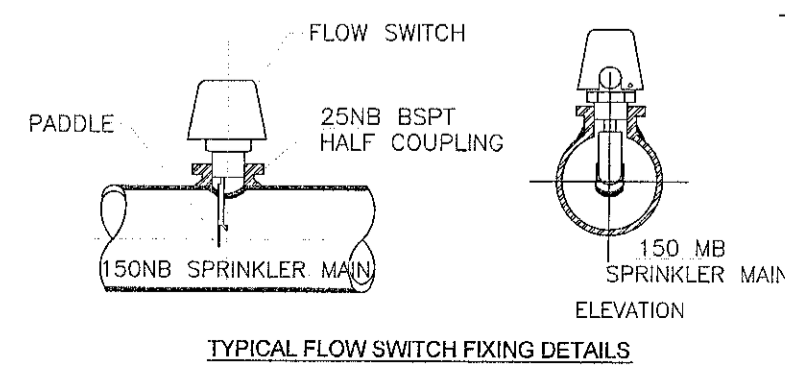
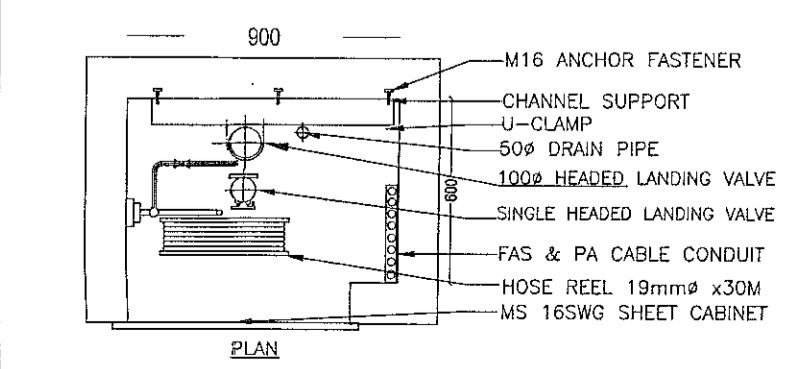
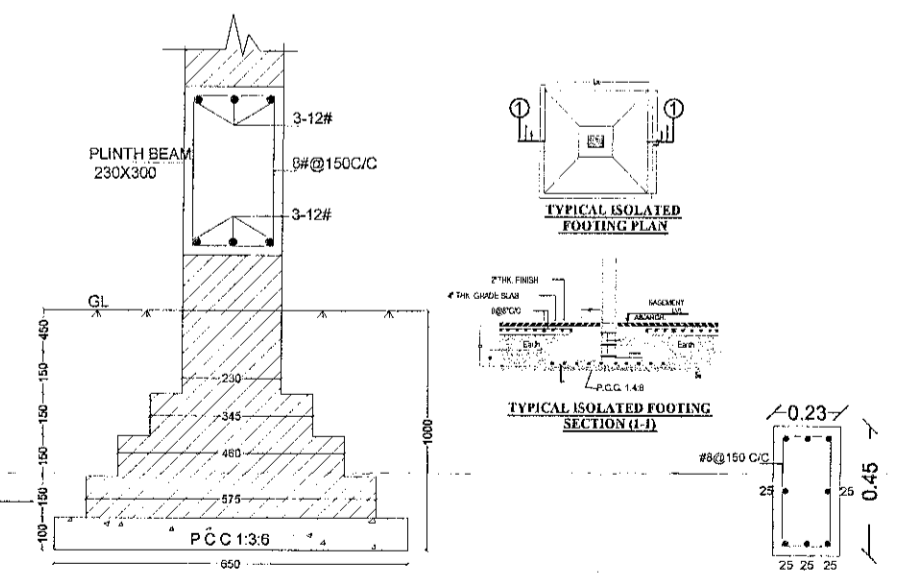
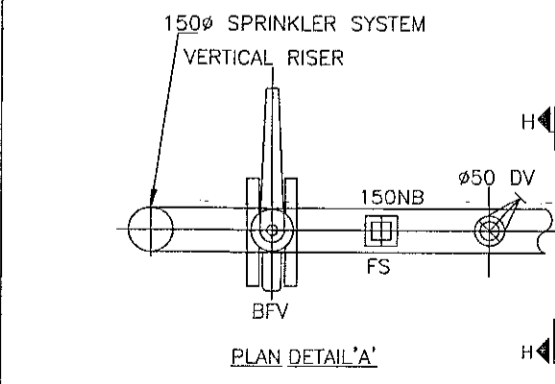
SECTION
SCALE 1:50



FRONT ELEVATION
SCALE 1:100



SITE PLAN
NOT TO SCALE



NAME OF TRUST- BASANT SHIKSHA SAMITI TRUST	
VILL & POST - CHANDALI, TEHSIL-SAKALDIHA, CHANDALI UP PINCODE-232105	
NAME OF THE INSTITUTE- ORDIAL COLLEGE OF PHARMACY	
SITUATION- VILL -DEORIKALA, POST AND TEHSIL MADIHAN MIRZAPUR UP PIN-231310	
COURSE NAME- DIPLOMA IN PHARMACY	
GATA NO- 331,333,334,335 GA	
TOTAL AREA OF LAND- 8094.00 SQ.M (2 ACRE)	
AREA STATEMENT	SQ.MT
1 TOTAL PLOT AREA	8094.00 SQ.M
2 COV. AREA ON G.F	1220.60 SQ.M
3 COV. AREA ON F.F	1172.03 SQ.M
4 COV. AREA ON S.F	1172.03 SQ.M
5 COV. AREA ON T.F	42.74 SQ.M
6 GRAND TOTAL	3564.66 SQ.M
GROUND COVERAGE %45.08%	
ACHIEVED F.A.R - 0.44	
INSTRUCTIONAL AREA	CIRCULATION AREA
CLASS ROOM-1=134.07 SQ.M	G.F=321.45 SQ.M
CLASS ROOM-2=134.07 SQ.M	F.F=321.45 SQ.M
CLASS ROOM-3=134.07 SQ.M	S.F=321.45 SQ.M
LABORATORY-1=134.07 SQ.M	TOTAL =964.35 SQ.M
LABORATORY-2=134.07 SQ.M	
LABORATORY-3=134.07 SQ.M	
LABORATORY-4=134.07 SQ.M	
LABORATORY-5=134.07 SQ.M	
MACHINE ROOM=134.07 SQ.M	
LIBRARY=134.07 SQ.M	
SEMINAR HALL=201.94 SQ.M	
MUSEUM=66.71 SQ.M	
ADMINISTRATIVE AREA	
PRINCIPAL ROOM=66.19 SQ.M	
OFFICE =66.19 SQ.M	
STORE=100.5 SQ.M	
AMENITIES AREA	
TOILET=100.14 SQ.M	
BOY'S COMMON ROOM =66.19 SQ.M	
GIRL'S COMMON ROOM =66.19 SQ.M	
CANTEEN=66.19 SQ.M	
FIRST AID ROOM=66.19 SQ.M	
ASEPTIC ROOM=66.19 SQ.M	
SCALE	NORTH
AS/ SHOWN	
ARCHITECT SIGN	OWNER SIGN
 Sanjesh Kumar B.Arch., Architect. Reg. No. CA/2018/94667	 Sawani Shyam Chairman/Secretary Basant Shiksha Samiti Trust Chandali
ARCHITECTS: HARGOVIND DESIGN HUB ARCHITECT & INTERIOR DESIGNER, PLANNERS, LANDSCAPE CONSULTANTS OFFICE NO. :- 20 CRYSTAL APARTMENT 532A/100 CHAUDHARY TOLA, SHEKHAPUR ALIGANJ, LUCKNOW. MOBILE NO -9721814499, 9044860828, 0522-4046919	

PRODUCED BY AN AUTODESK EDUCATIONAL PRODUCT

PRODUCED BY AN AUTODESK EDUCATIONAL PRODUCT