

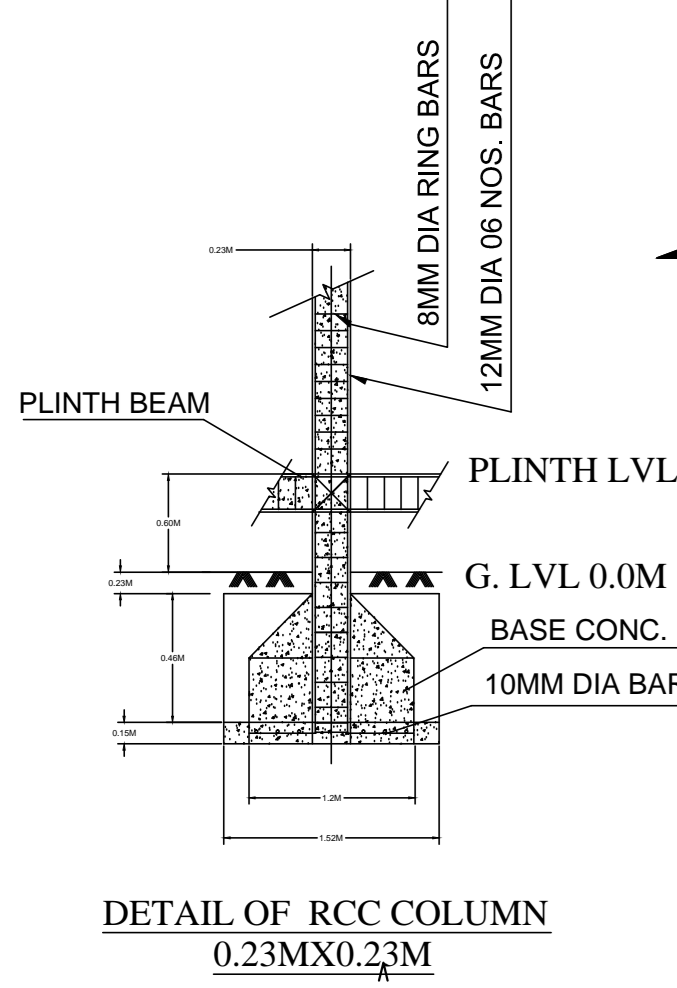
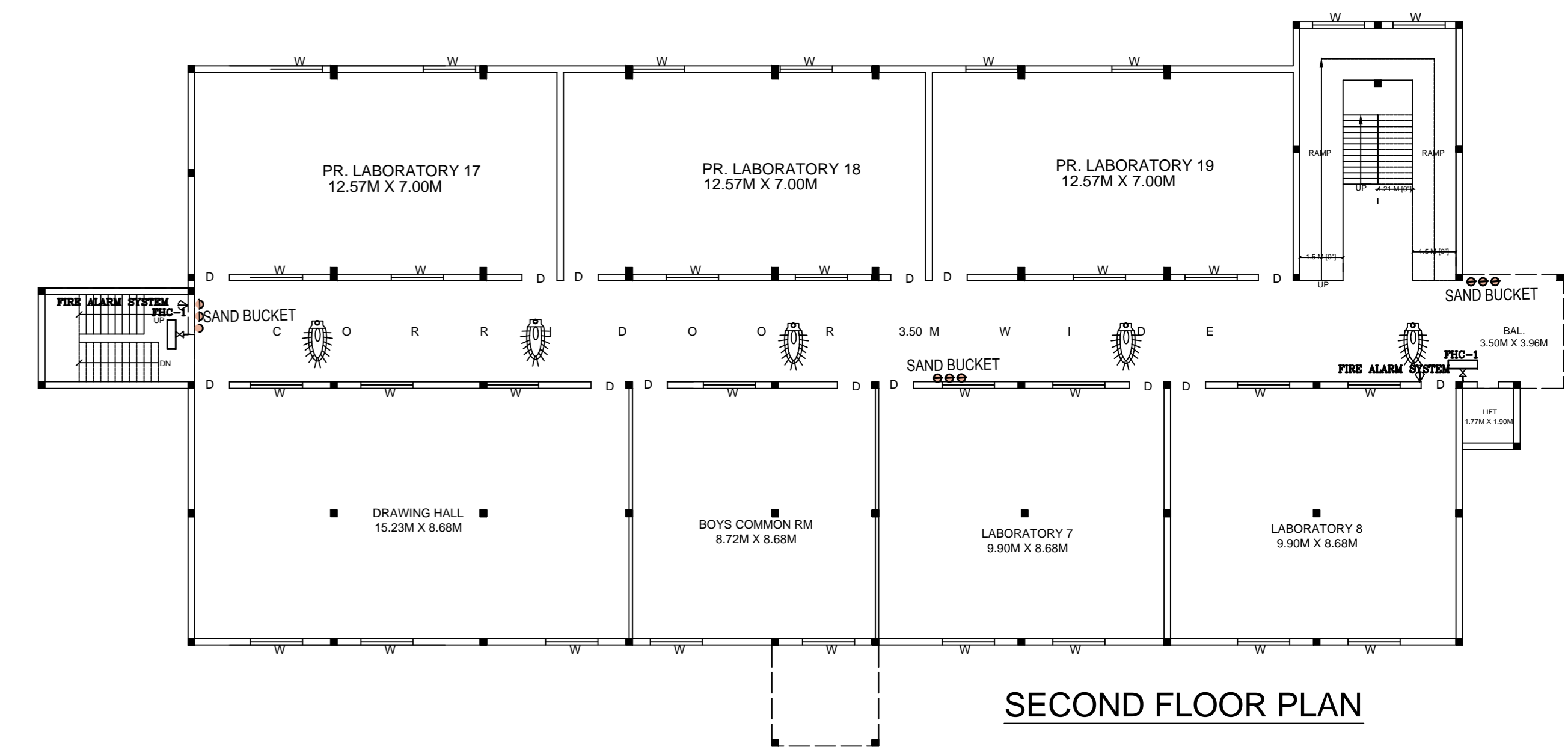
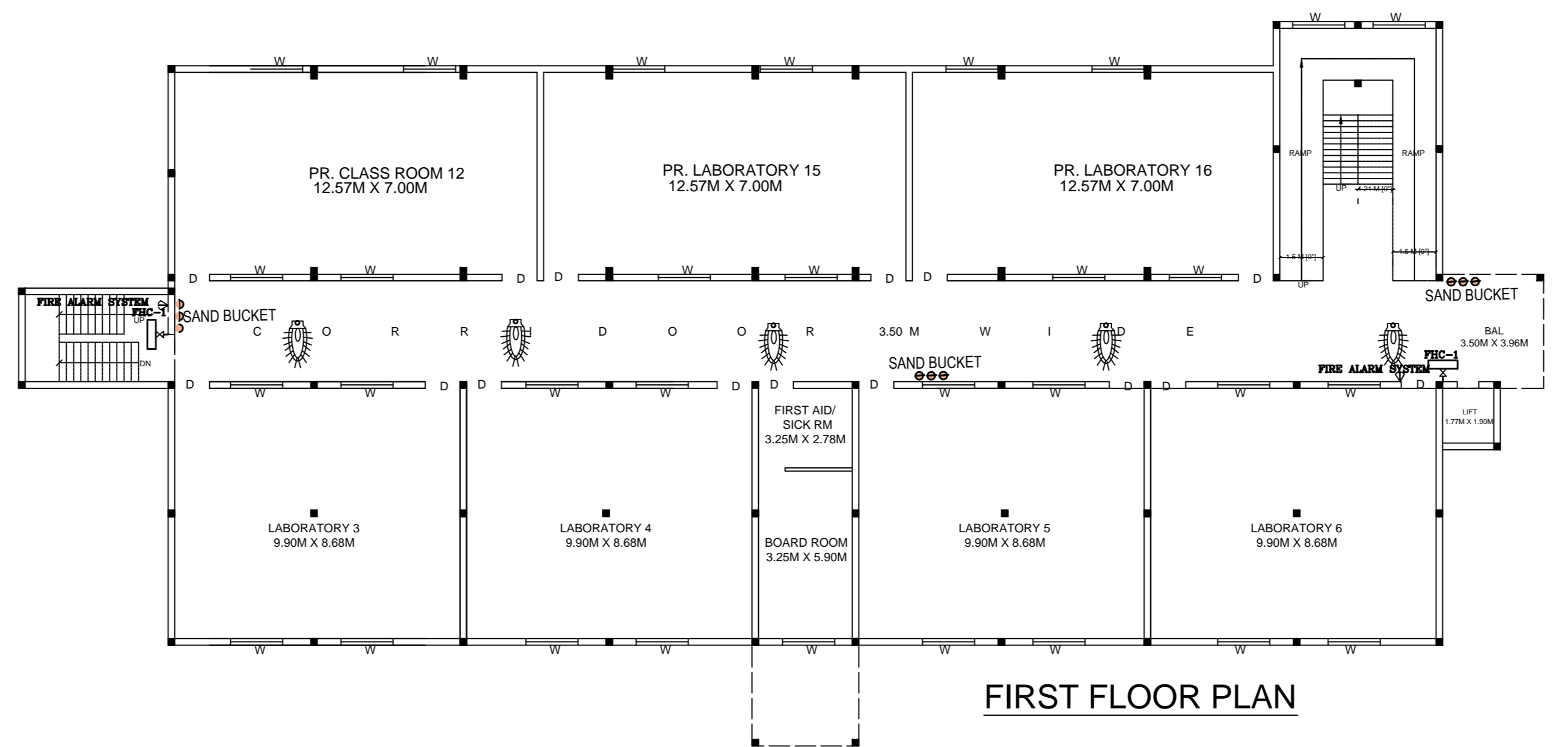
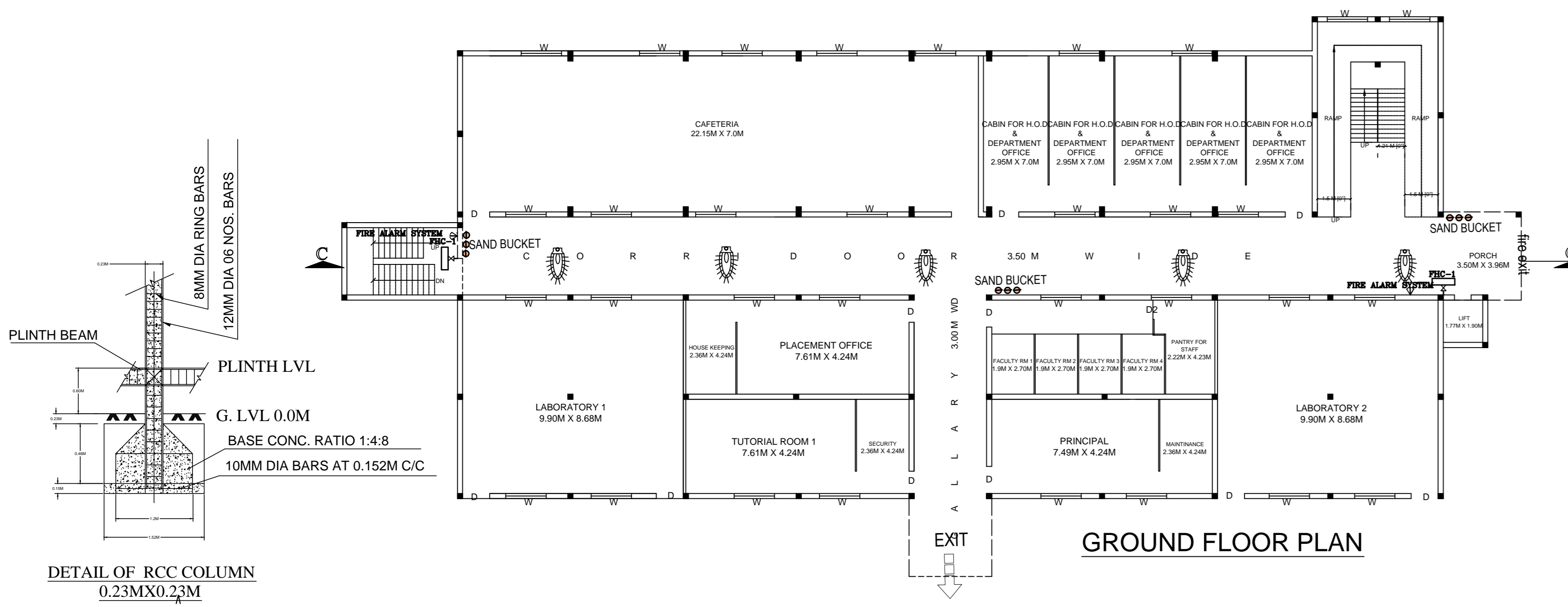
**TYPICAL AIR CUSHION TANK**

**LEGEND**

- FIRE PIPE
- SPRINKLER PIPE
- BUTTERFLY VALVE
- NON RETURN VALVE/ WAFER CHECK VALVE
- DOUBLE HEAD LANDING VALVE
- FIRE HYDRANT CABINET
- FIRE ALARM ELECTRIC MANUAL
- FIRE ALARM ELECTRIC AUTOMATIC DETECTION SYSTEM

**EQUIPMENT LIST**

- FIRE PUMP (DIESEL) CAP: 2400 LPM @ 110 M. HEAD.
- FIRE PUMP (ELECTRIC) CAP: 2400 LPM @ 110 M. HEAD.
- SPRINKLER PUMP CAP: 2200 LPM @ 180 M. HEAD.
- JOCKEY PUMP CAP: 2200 LPM @ 180 M. HEAD.
- AIR VESSEL CAP: 300 LPM @ 35 M. HEAD.
- BOOSTER PUMP CAP: 300 LPM @ 35 M. HEAD.



**EXISTING BUILDING PLAN OF GANDHI MEDICAL COLLEGE SITUATED AT HASTINAPUR AMMBABAI, BLOCK- BARAGAON AMBABAI, DISTT. JHANSI (U.P)**  
 ARAZI NO.-1790, 1791, 1769  
 CHAIRMAN:- DR. SANTOSH KUMAR SAHU

AREA CALCULATION CHART	
TOTAL LAND AREA	10,120.82 SQMT.
COVERED AREA OF EX. GROUND FLOOR	927.15 SQMT.
COVERED AREA OF EX. FIRST FLOOR	927.15 SQMT.
COVERED AREA OF EX. SECOND FLOOR	927.15 SQMT.
COVERED AREA OF MUMTY	28.00 SQMT.

STAIR CASE DETAILS	
TREAD	= 0.30M WD.
RISER	= 0.15M HT.
LANDING	= 1.50M WIDE

DOOR/WINDOWS/VENTILATOR DETAILS	
DOOR D	= 2.43M X 2.13M
DOOR D1	= 0.90M X 2.13M
WINDOW W	= 2.43M X 1.67M
VANTILATION V	= 0.91M X 0.36M
MAIN GATE I.G.	= 4.21M X 2.13M

OWNER'S SIGNATURE \_\_\_\_\_  
 ARCHITECT SIGNATURE \_\_\_\_\_

