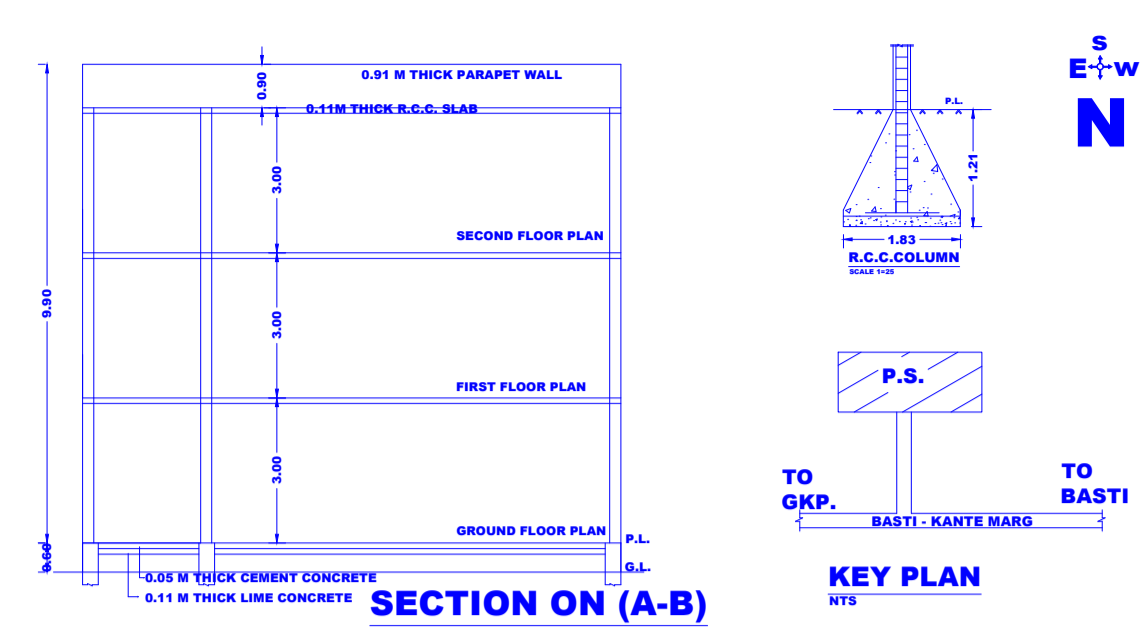
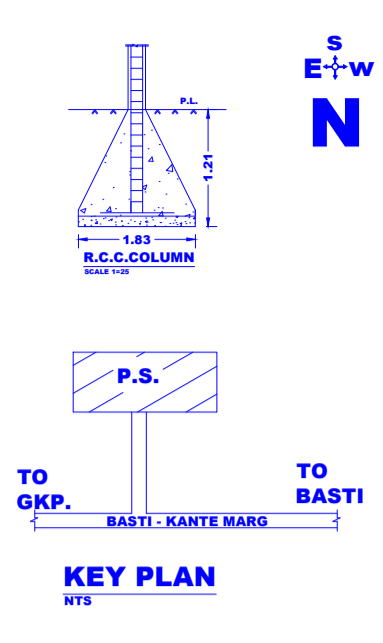


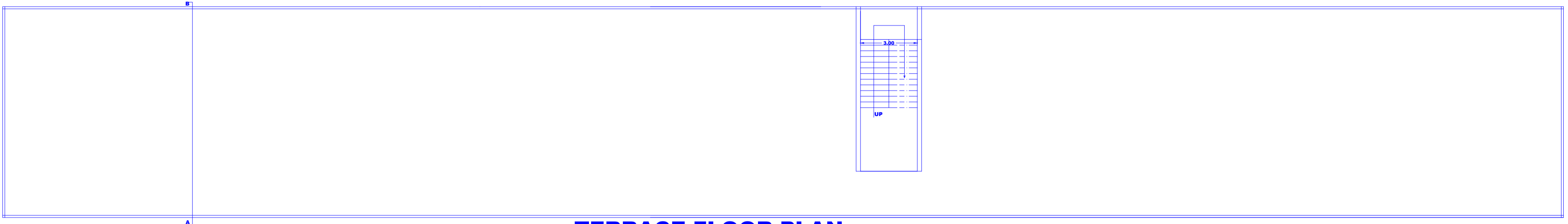
**SITE PLAN**



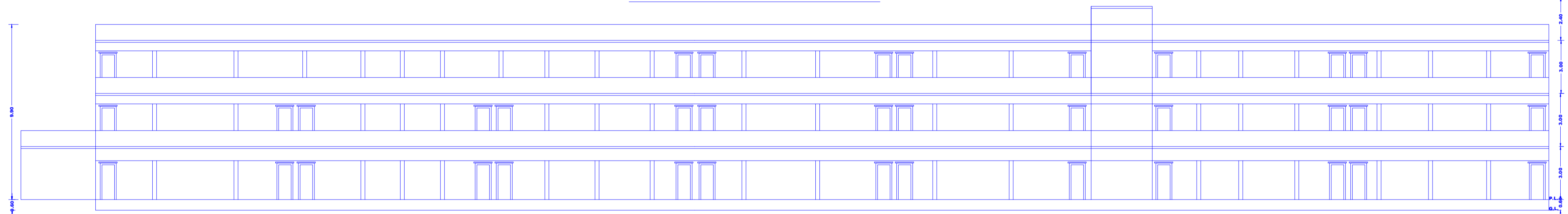
**SECTION ON (A-B)**



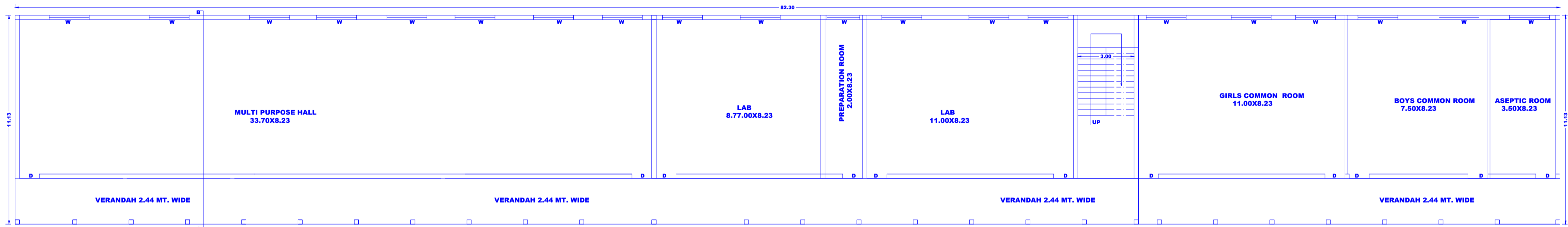
**KEY PLAN**



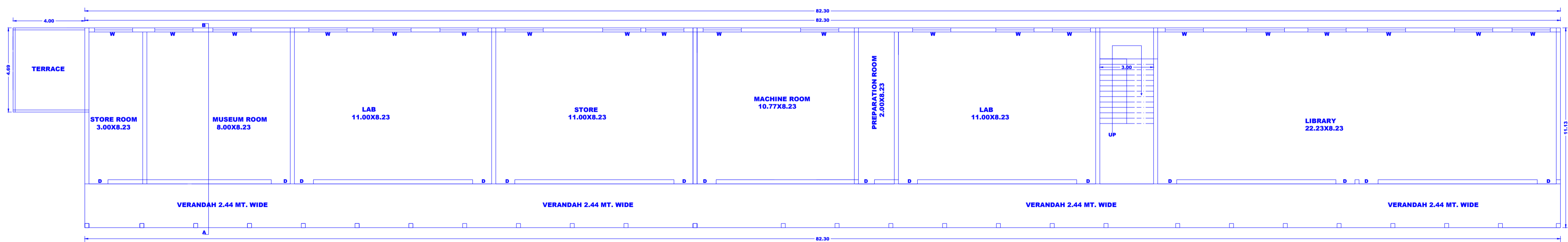
**TERRACE FLOOR PLAN**



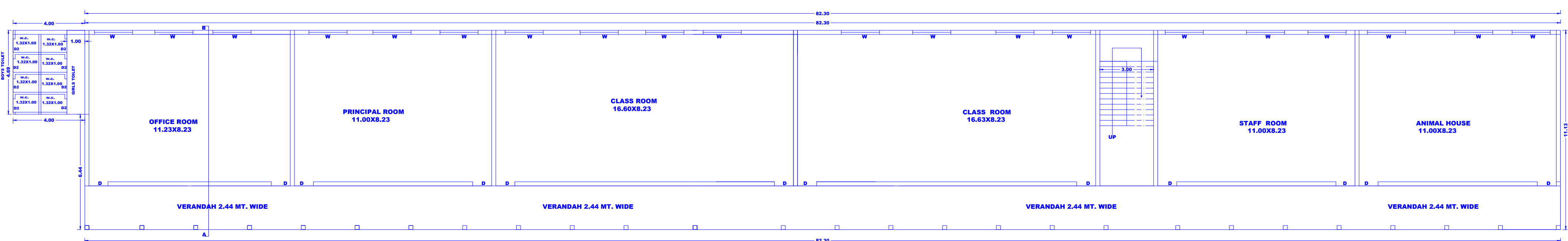
**FRONT ELEVATION**



**SECOND FLOOR PLAN**



**FIRST FLOOR PLAN**



**GROUND FLOOR PLAN**

**ALL DIMENSION IN METRES**  
**EXT. EDUCATIONAL BUILDING PLAN FOR ISHRAWATI DEVI INSTITUTE OF PHARMACY COLLEGE AT VILL.-ODWARA BASTI, DISTT.-BASTI (U.P.)**

**SPECIFICATION**  
 1.00. 1:2:4 cement found, 100-16:32 with a.b.b. white lime & corkh.  
 2.1st class brick in formal & super structure.  
 3.4.0 c.c. on 1:2:4 cement found & dry comp.  
 4. r.c.c. work in local & lab.  
 5. plaster on wall 1:3 cement found.  
 6. 8.00mm c.c. floor in 1:2:4 cement found & stone grit over 0.11mmk lime concrete.

**SCHEDULE**

	Symbol	size
1. DOORS	D	1.21x2.10
	D <sub>1</sub>	0.91x2.10
	D <sub>2</sub>	0.75x2.10
2. WINDOWS	w	1.82x1.52
	w <sub>1</sub>	1.15x1.52
3. VENTILATORS	v	0.76x0.45

**AREA CHART**

	SGM.
1. TOTAL PLOT AREA	2009.52
2. OPEN AREA	885.81
3. COVERD AREA G.F.	934.76
4. COVERD AREA F.F.	915.99
5. COVERD AREA S.F.	915.99
6. TOTAL COVERD AREA (G.F.+F.F.+S.F.)	2766.74

PRINCIPAL/MANAGER	ENGINEER