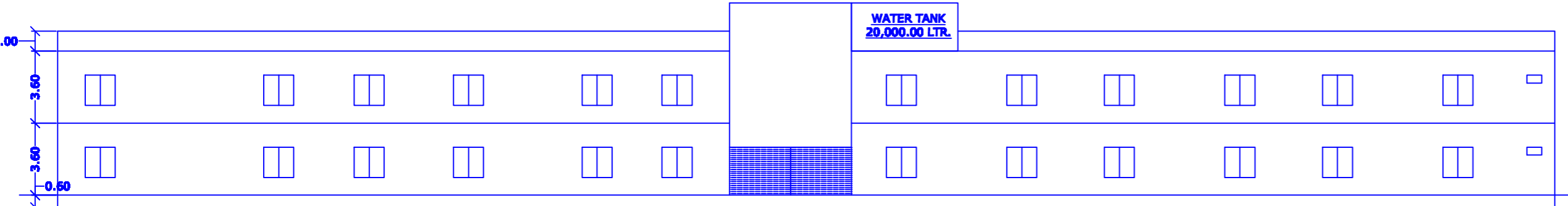
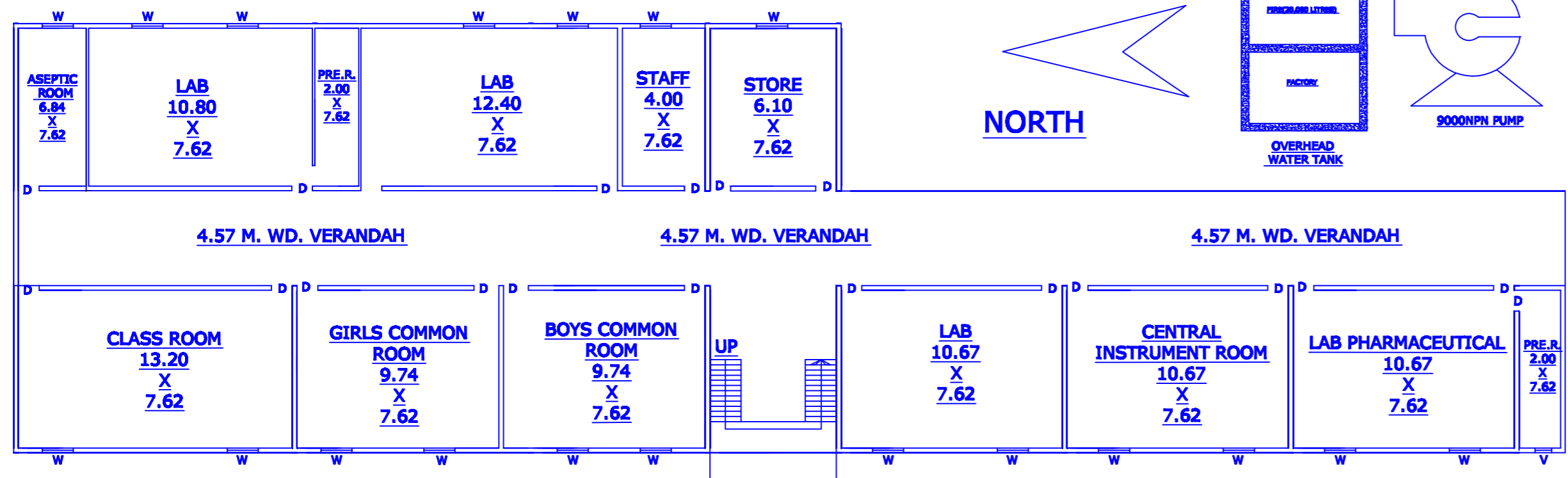


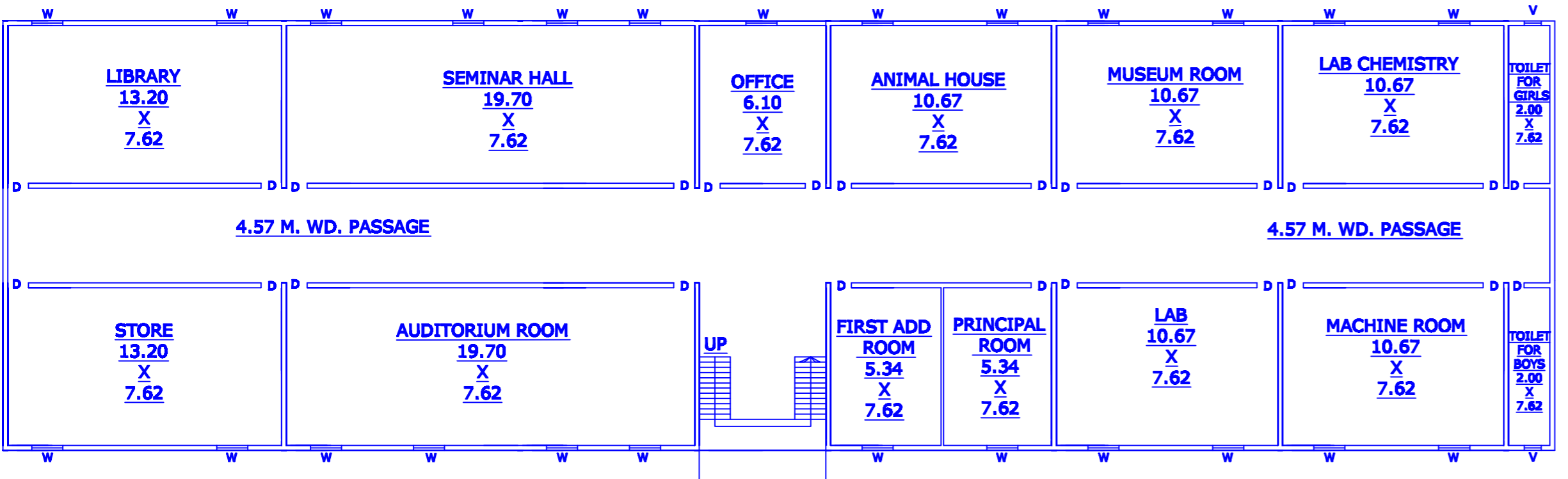
SECTION A-A'



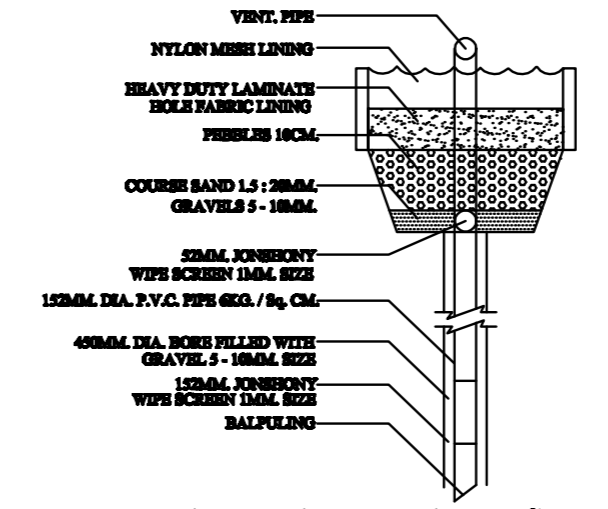
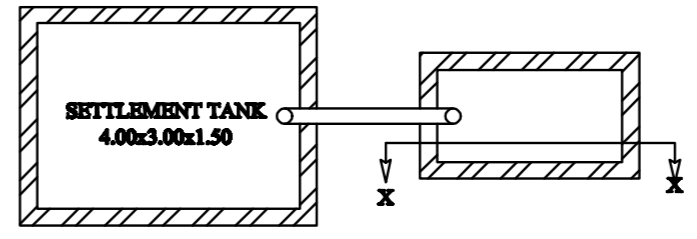
ELEVATION



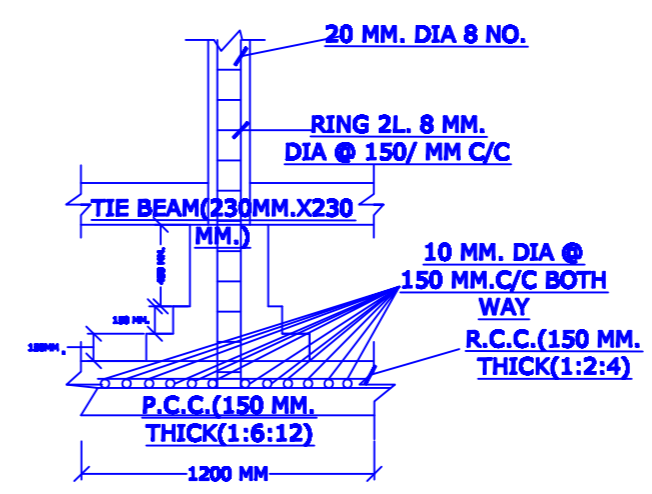
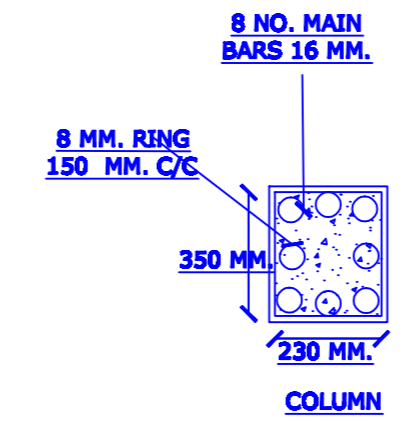
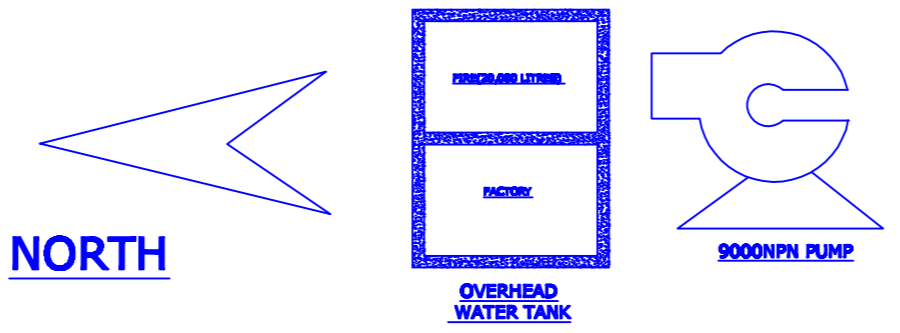
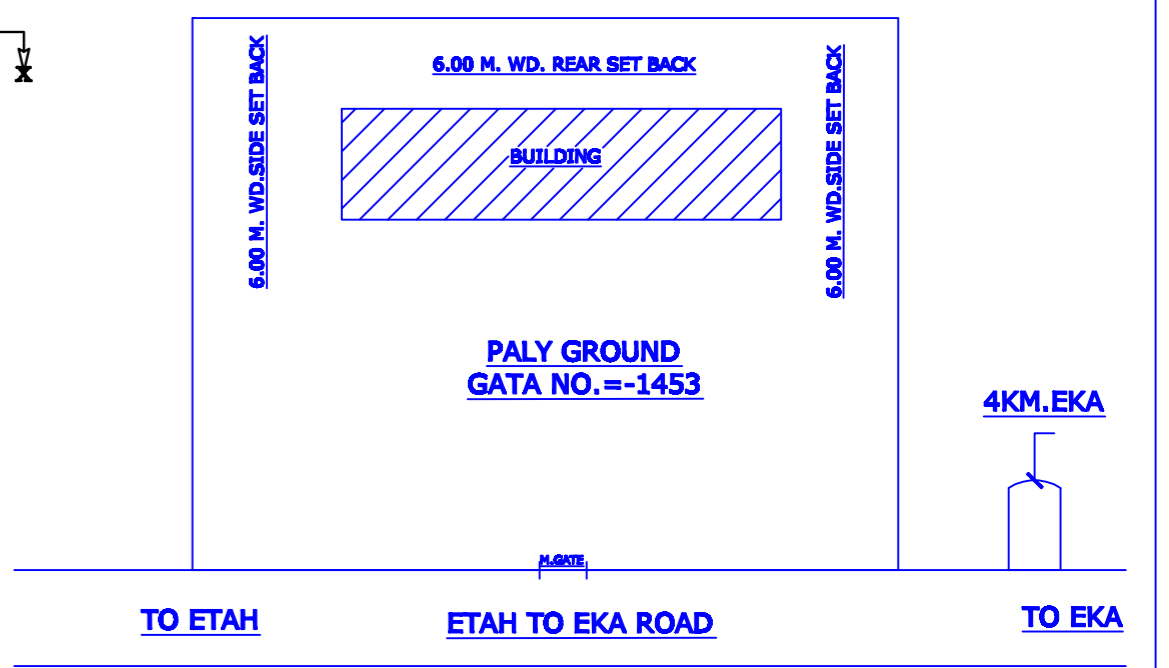
FIRST PLAN



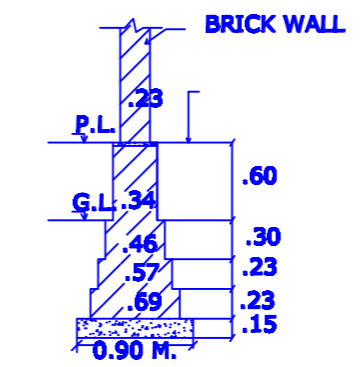
GROUND FLOOR PLAN



RAIN WATER HARVESTING (NOT TO SCALE)



COLUMN FOOTING SECTION



DETAILS OF FOUNDATION

LEGEND FIRE FIGHTING INSTALLATION	DFL	DOWN FIRE LINE
	FHR	FIRE HOSE REEL
	MOFA	MANUALLY OPERATED FIRE ALARM

- NOTES**
- COLLEGE TANK IS FILLED BY OVERFLOW OF FIRE TANK
  - PROVIDE PRESSURE PUMPS AT OVERHEAD AND UNDERGROUND FIRE TANK AS SPECIFIED BELOW
  - PUMP OF CAPACITY 45/MINUTE AT OVERHEAD TANK (5000 LITERS CAPACITY)
  - ALL FIRE LINES INTERCONNECTED WITH SPECIFIED WATER PRESSURE

EXISTING BUILDING PLAN "P.S. COLLEGE OF PHARMACY S/A GATA NO.-1453, VILLAGE- SHYAMPUR EKA, TEHSIL JASRANA, DISTT. FIROZABAD RUN BY SHRI PUTTU SINGH SHIKSHA SAMITTI  
SEC. -: SHRI ASHWANI KUMAR

AREA CHART	BUILDING HIGHT= 6.70 M.
TOTAL PLOT AREA= 10,000.00 SQMT.	SPECIFICATION OF SET BACK
G.F. COVD. AREA=1553.00 SQMT.	FRONT SET BACK- 20.00 M. WD.
G.F. OPEN AREA=8447.00 SQMT.	REAR SET BACK- 6.00 M. WD.
F.F. COVD. AREA=1270.00 SQMT.	RIGHT SIDE SET BACK- 6.00 M. WD.
TOTAL COVD. AREA=2823.00 SQMT.	LEFT SIDE SET BACK- 6.00 M. WD.
GATA NO.-1453	
STAIRES DETAILS	MAIN GATE =4.57 M. X 6.10 M. DOOR'S- D=1.20 M. x 2.40 M WINDOW'S-W=1.52 x 1.82
WIDTH- 1.52 M. RISER - 0.15 M. TREADE- 0.25 M.	

DRAWN BY